



**JUKI**  
*Union Special*

2 and 3-Needle Cylinder Bed Coverstitch Machine

## MFC7000 Series

MFC-7600-C02 MFC-7400-E11, MFC-7600-E11, MFC-7400-E61, MFC-7600-E61,  
MFC-7400-H01, MFC-7600-H01, MFC-7400-H11, MFC-7600-H11, MFC-7400-H21,  
MFC-7600-H21, MFC-7400-H31, MFC-7600-H31, MFC-7400-K01, MFC-7600-K01,  
MFC-7400-K02, MFC-7600-K02, MFC-7600-U03, MFC-7400-U06, MFC-7600-U06

# PARTS LIST

### HOW TO MAKE USE OF THIS PARTS LIST

1. Codes on the "Amt. Req." column
  - Each numeral indicates the number of parts required.
  - "0.1" and "2.5" indicate the length (in meters) of the respective parts.
2. Parentheses mean that the corresponding part is a subpart that constructs an assembly part.
3. Dotted lines on the Figures indicate assembly parts.

# Manual No. PT0108 Illustrated Parts List for MFC7000 Series Machines

---

---

First Edition Copyright 2001

By

Union Special Corporation Rights Reserved In All Countries

Printed in U.S.A. September 2001

---

---

## PREFACE

This parts manual has been prepared to assist you in locating individual parts or assemblies on MFC7000 Series machines.

## IDENTIFICATION OF MACHINES

Each UNION SPECIAL machine is identified by a style number, which is stamped into the style plate affixed to the middle of the machine under the tension assembly. The serial number is stamped into the serial number plate affixed to the right rear base of the machine.

## SAFETY RULES

1. Before putting the machines described in this manual into service, carefully read the instructions. The starting of each machine is only permitted after taking notice of the instructions and by qualified operators.

**IMPORTANT! Before putting the machine into service, also read the safety rules and instruction from the motor supplier.**

2. Observe the national safety rules valid for your country.
3. The sewing machines described in this instruction manual are prohibited from being put into service until it has been ascertained that the sewing units which these sewing machines will be built into, have conformed with the EC Council Directives (89/392/EEC, Annex II B).

Each machine is only allowed to be used as foreseen. The foreseen use of the particular machine is described in paragraph "STYLES OF MACHINES" of this instruction manual. Another use, going beyond the description, is not as foreseen.

4. All safety devices must be in position when the machine is ready for work or in operation. Operation of the machine without the appertaining safety devices is prohibited.
5. Wear safety glasses.
6. In case of machine conversions and changes all valid safety rules must be considered. Conversions and changes are made at your own risk.
7. The warning hints in the instructions are marked with one of these two symbols:



8. When doing the following the machine has to be disconnected from the power supply by turning off the main switch or by pulling out the main plug:
  - 8.1 When threading needle(s), looper, spreader etc.
  - 8.2 When replacing any parts such as needle(s), presser foot, throat plate, looper, spreader, feed dog, needle guard, folder, fabric guide etc.
  - 8.3 When leaving the workplace and when the workplace is unattended.
  - 8.4 When doing maintenance work.
  - 8.5 When using clutch motors without actuation lock, wait until the motor is stopped totally.
9. Maintenance, repair and conversion work (see item 8) must be done only by trained technicians or special skilled personnel under consideration of the instructions.
10. Any work on the electrical equipment must be done by an electrician or under direction and supervision of special skilled personnel.
11. Work on parts and equipment under electrical power is not permitted. Permissible exceptions are described in the applicable sections of standard sheet DIN VDE 0105.
12. Before doing maintenance and repair work on the pneumatic equipment, the machine has to be disconnected from the compressed air supply. In case of existing residual air pressure after disconnecting from compressed air supply (i.e. pneumatic equipment with air tank), the pressure has to be removed by bleeding.

# MFC7605A-H11-B56/PL1/UT5

Stitch Type	Code
2-Needle Bottom Cover Stitch	406
3-Needle Bottom Cover Stitch	407
2-Needle Top & Bottom Cover Stitch	602
3-Needle Top & Bottom Cover Stitch	605

Code	Destination Type
Blank	Japan
A	Western Hemisphere
U	South East Asia
T	Europe

Stitch Length			
Code	2 Needle	3 Needle	Application
A	1.6-2.1mm (12-16 SPI)	1.6-2.1mm (12-16 SPI)	Hemmer Lapseamer
B	—	1.8-2.5mm (10-14 SPI)	Hemmer Lapseamer Collarett (C02) Universal
C	1.8-3.2mm (8-14 SPI)	2.5-3.2mm (8-10 SPI)	Hemmer Lapseamer
D	1.6-3.2mm (8-16 SPI)	1.6-3.2mm (8-16 SPI)	Elastic & Coverseam

Application	Description of Subclass	Code
Collarett	Converts to Hemming (U06) or coverseam (U03)	C02
Elastic Applications	Fabric Undertrimmer	E11
Elastic Applications	Fabric Undertrimmer, with Puller	E61
Hemming	Basic Style with Hem Guide	H01
Hemming	Puller with Rollers & Hem Guide	H11
Hemming	Left Hand Fabric Trimmer	H21
Hemming	Left Hand Fabric Trimmer with Puller	H31
Coverseam	Standard Seam Guide for Light Weight Fabrics	K01
Coverseam	Adjustable Seam Guides for Med to Heavy Weight Fabrics	K02
Universal	Coverseaming Parts Standard	U03
Universal	Hemming Parts Standard	U06

Gauge	Metric	Inches	Old
32	3.2mm	1/8"	8
40	4.0mm	5/32"	10
48	4.8mm	3/16"	*12
56	5.6mm	7/32"	*14
64	6.4mm	1/4"	*16

\*NOTE: Old coverstitch needle spacing for knitwear were actually 1/64" less than the gauge indicated.

Blank	Non Puller
PL1	Clutch Driven Rear Puller Roller With Teeth
PL1S	Clutch Driven Rear Puller with Smooth Roller

Blank	Non Device
UT1	Electromagnetic type, needle thread wiper & auto presser foot lift
UT2	Electromagnetic type, cover thread trim & auto presser foot lift
UT3	Pneumatic type, needle thread wiper & auto presser foot lift
UT4	Pneumatic type, needle thread blower & auto presser foot lift
UT5	Pneumatic type, top cover thread trimmer & auto presser foot lift
UT6	Electromagnetic type & auto presser foot Lift (Non Puller styles only)
SC1	Stitch Condensing

## IDENTIFICATION OF MACHINES

Precision two and three needle cylinder bed machines, with top and bottom coverstitch or bottom coverstitch only. Rotary mainshafts for smoother, quieter and faster operations. Equipped with quick change for main and differential feed. Independently driven rear needle guard, no adjustment necessary when changing stitch length. Adjustable looper avoid eccentric to adapt two looper avoid motion and the elliptic path of the looper to the required needle size and type of sewing threads. Recommended needle 128GBS, needle range 065/025-090/036

- C02 COLLARETTE—Two and three needle top and bottom coverstitch machines. For attaching binding to the legs of briefs, collars to T-shirts & Collars and arm openings to A-shirts, etc. Stitch & specifications: two needle 602BSb-1, for three needle 605BSb-1, Standard gauge for two needles 40, (4.0mm) & 48, (4.8mm), for three needle 56, (5.6mm) & 64, (6.4mm). Machines convert easily to Hemmer or Coverseam with optional parts. Maximum recommended speed, depending on operation is up to 6500RPM
- E11 ELASTIC—Two and three needle bottom coverstitch and two and three needle top and bottom coverstitch machines, with right hand fabric trimmer. For attaching pre-closed elastic rings to the waists of briefs and panties. Stitch & seam specifications: two and three needle bottom coverstitch 406LSa-1 & 407LSa-1, two and three needle top and bottom coverstitch 602LSa-1 & 605LSa-1. Standard gauge for two needles 40, (4.0mm) & 48, (4.8mm), for three needles 56, (5.6mm) & 64, (6.4mm). Maximum recommended speed, depending on operation is up to 5500RPM
- E61 ELASTIC—Same as E11 except equipped with PL1 or PL1S rear puller.
- H01 HEMMING— Two and three needle bottom coverstitch and two and three needle top and bottom coverstitch machines with adjustable hem guides. For circular or flat hemming operations on light, medium and heavy weight knit fabrics. Stitch & seam specifications: two and three needle bottom coverstitch 406EFa-1 (inv) & 407EFa-1 (inv), two and three needle top and bottom coverstitch 602EFa-1(inv) & 605EFa-1(inv) Standard gauge for two needles 32, (3.2mm) 40, (4.0mm) & 48, (4.8mm), for three needles 56, (5.6mm) & 64, (6.4mm). Maximum recommended speed, depending on operation is up to 6500RPM
- H11 HEMMING—Same as H01 except equipped with PL1 or PL1S rear puller and maximum speed of 5500RPM
- H21 HEMMING—Same as H01 except equipped with left hand knife fabric trimmer and maximum speed of 5500RPM
- H31 HEMMING—Same as H21 except equipped with PL1 or PL1S rear puller.
- K01 COVERSEAMING—Two needle bottom coverstitch and two and three needle top and bottom coverstitch machines with stationary seam guide. For the second operation to coverseam overedge seams on the neck, shoulder and waist of light to medium weight knit garments. Stitch & seam specifications: two needle bottom coverstitch 406SSh-2, two and three needle top and bottom coverstitch 602SSh-2 & 605SSh-2. Standard gauge for two needles 48, (4.8mm) 56, (5.6mm) & 64, (6.4mm) for three needles 56, (5.6mm) & 64, (6.4mm). Maximum recommended speed, depending on operation is up to 6500RPM
- K02 COVERSEAMING—Same as K01 except with adjustable seam guides and for medium to heavy weight knit garments.
- U03 UNIVERSAL/COVERSEAMING—Three needle bottom coverstitch and three needle top and bottom coverstitch machines, with low cost adjustable coverseam guides. For general coverseaming of medium to heavy weight knit garments. Stitch & seam specifications: three needle bottom coverstitch 407SSh-2, three needle top and bottom coverstitch 605SSh-2. Standard gauge 56, (5.6mm) & 64, (6.4mm). Machine converts easily to Hemmer or Collarette with optional parts. Maximum recommended speed, depending on operation is up to 6500RPM
- U06 UNIVERSAL/HEMMING— Two and three needle bottom coverstitch and two and three needle top and bottom coverstitch machines with adjustable hem guides. For general hemming of light, medium and heavy weight knit garments. Stitch & seam specifications: two and three needle bottom coverstitch 406EFa-1 (inv) & 407EFa-1 (inv) two and three needle top and bottom coverstitch 602EFa-1(inv) & 605EFa-1(inv) Standard gauge for two needles 48, (4.8mm), for three needles 56, (5.6mm) & 64, (6.4mm). Machine converts easily to Coverseam or Collarette with optional parts. Maximum recommended speed, depending on operation is up to 6500RPM

## ILLUSTRATIONS

This manual has been arranged to simplify ordering repair parts. Exploded views of various sections of the mechanism are shown so that the parts may be seen in their actual position in the machine. On the page opposite the illustration will be found a listing of the parts with their part numbers, description and the number of pieces required in the particular view being shown.

Numbers in the first column are reference numbers only, and merely indicate the position of the part in the illustration. The reference number should never be used in ordering parts. Always use the part number listed in the second column.

Component parts of sub-assemblies which can be furnished for repairs are indicated by indenting their descriptions under the description of the main sub-assembly. As an example refer to the following text.

- 5. 50366B Needle Thread Strike-Off Assembly ..... 1
- 6. 50358V Needle Thread Strike-Off ..... 1
- 7. 50370F Needle Thread Strike-Off Component ..... 1
- 8. SS7060310SP Screw, for plate strike-off ..... 1

When a part is common to all machines covered in this manual, no specific usage will be mentioned in the description. However, when the parts for the various machines are not the same, the specific usage will be mentioned in the description and, if necessary, the difference will be shown in the illustration.

\*NOTE: Ref. No. showing no Part No. is for location only. Part is not for sale separately.

A numerical index of all the parts shown in this manual is located at the back. This will facilitate locating the illustration and description when only a part number is known.

## IDENTIFYING PARTS

Where construction permits, each part is stamped with its part number. On some of the smaller parts and on those where construction does not permit, an identification letter is stamped in to distinguish the part from similar ones.

PLEASE NOTE: Part numbers represent the same part, regardless of which manual they appear. On all orders please include part number, name and style of machine for which the part was ordered.

For optimum performance use only genuine Union Special replacement parts.

## NEEDLES

Each needle has both a type and size number. The type number denotes the kind of shank, point, length, groove, finish and other details. The size number, stamped on the needle shank, denotes the largest diameter of the blade measured between the shank and the eye. Collectively, the type number and size number represent the complete symbol which is given on the label of all needles packed and sold by Union Special.

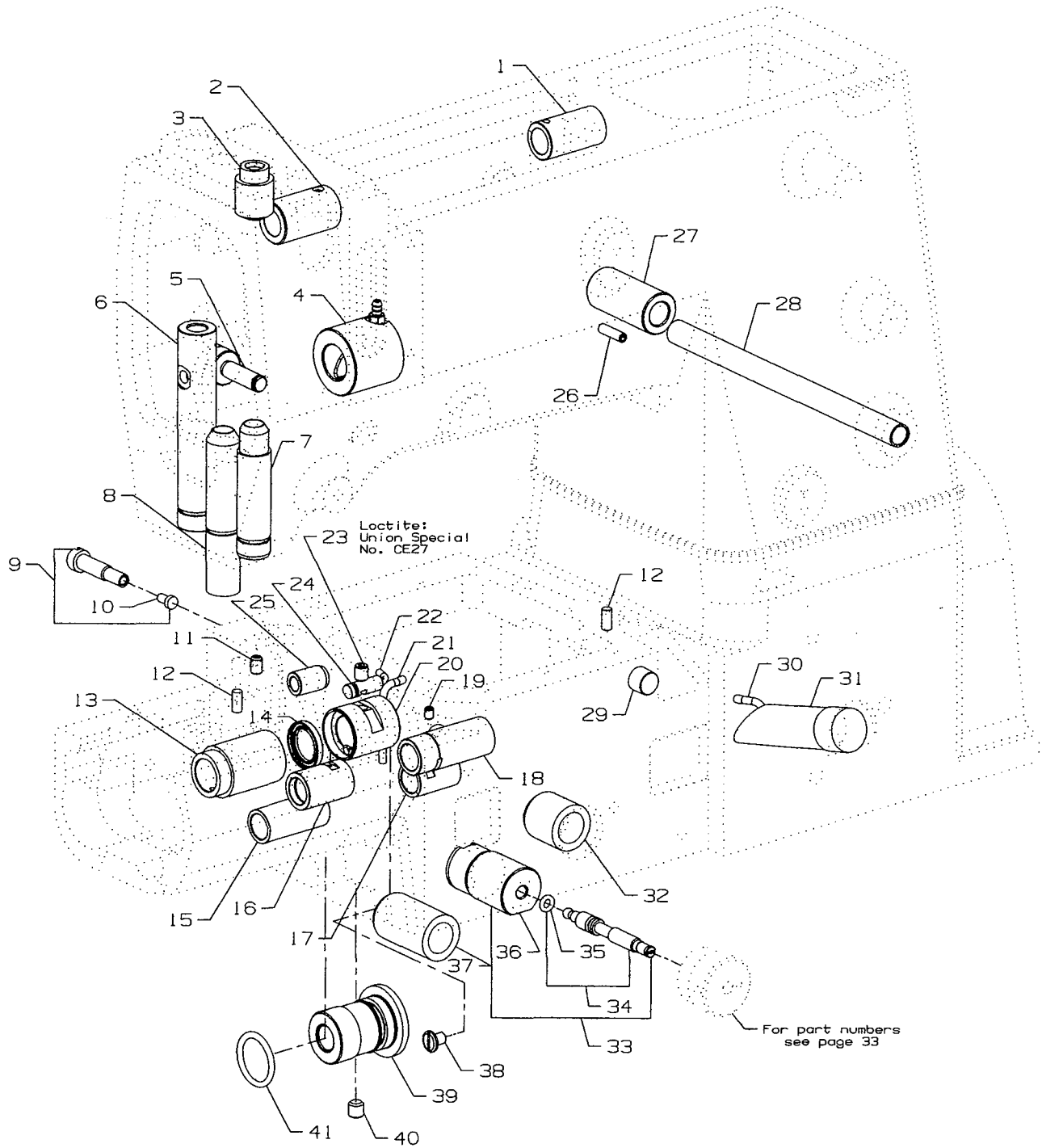
<u>TYPE</u>	<u>DESCRIPTION</u>
128 GBS	Short, double groove, struck groove, ball eye, spotted, ball point, chromium plated- Sizes available 055/022, 065/025, 070/027, 075/029, 080/032, 090/036.

When changing the needle, make sure it is fully inserted in the holder before the screw is tightened.

When ordering needles, please use the complete type and size numbers as printed on the package to ensure prompt and accurate processing of your order. A complete order should read as follows: "100 needles, type 128 GBS, size 075/029".

## CONTENTS

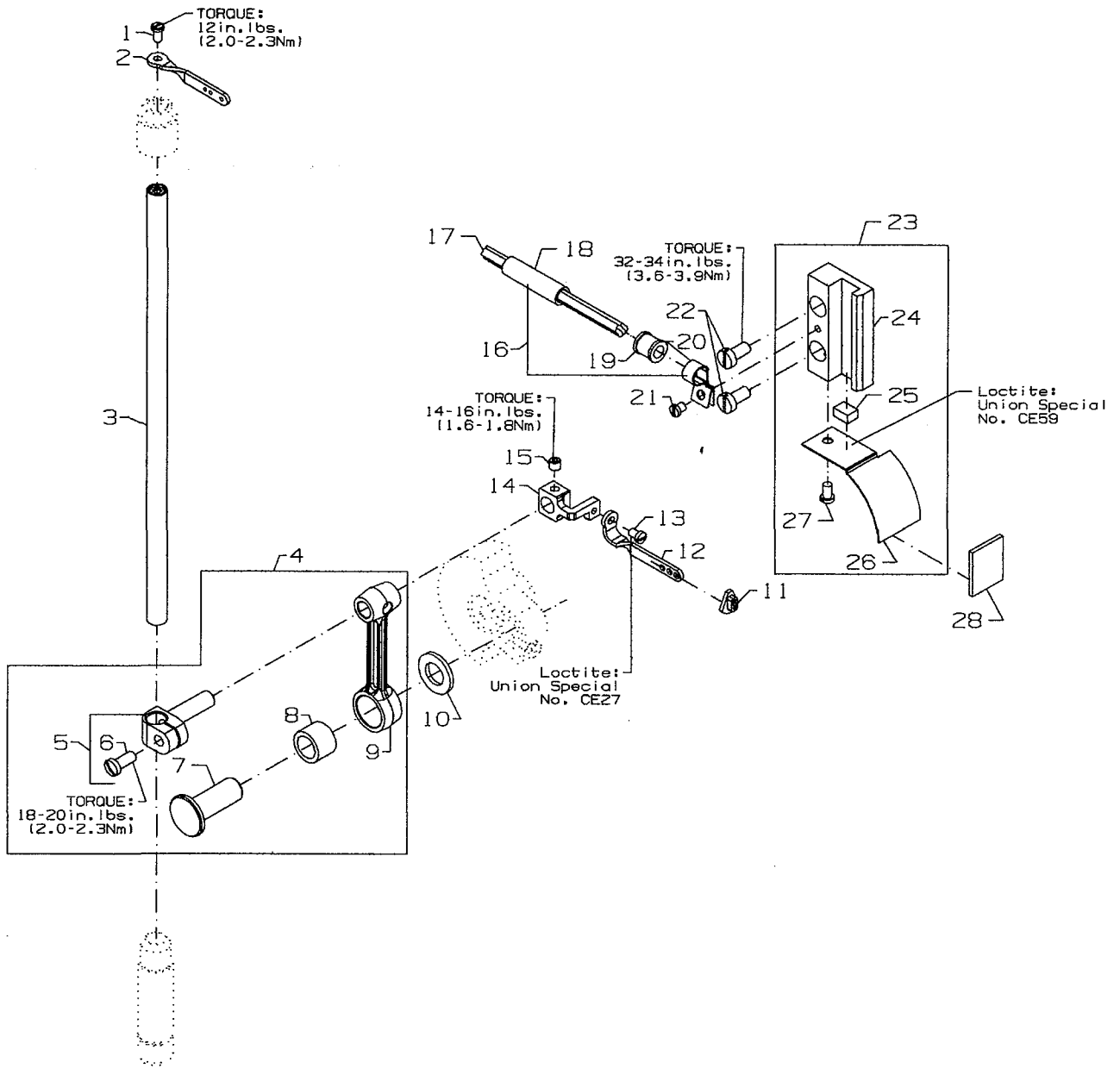
PREFACE .....	2
IDENTIFICATION OF MACHINES .....	2
SAFETY RULES .....	3
MFC7000 SERIES NUMBERING SYSTEM .....	4
IDENTIFICATION OF MACHINES .....	5
ILLUSTRATIONS .....	6
IDENTIFYING PARTS.....	6
NEEDLES .....	6
BUSHINGS .....	9
NEEDLE BAR .....	11
UPPER MAIN SHAFT .....	13
SPREADER .....	15
THREAD GUIDE .....	17
PRESSER FOOT LIFT .....	21
COVERS, UPPER ARM .....	23
LOWER MAIN SHAFT .....	25
LUBRICATION, OIL TUBING & OIL PUMP .....	27
LOOPER DRIVE .....	29
LOOPER THREAD TAKE -UP & NEEDLE GUARD .....	31
FEED DRIVE MECHANISM .....	33
FEED DRIVE MECHANISM .....	35
COVERS LOWER BED- FRONT FOR H01, H11, K01, K02, U03 .....	37
COVERS FOR E11, E61 .....	39
COVERS LOWER BED- MIDDLE .....	41
COVERS LOWER BED - REAR FOR H01, H11, K01, K02, U03 .....	43
COVERS FOR C02, U06 .....	45
TAPE GUIDE, HOLD DOWN DEVICE FOR E11, E61 .....	47
RIGHT HAND FABRIC TRIMMER ASSEMBLYFOR E11, E61 .....	49
PULLER LIFTER ASSEMBLYFOR E61, H11 .....	51
PULLER DRIVE ASSEMBLY FOR E61, H11 .....	53
LOWER ROLLER ASSEMBLY FOR E61,H11 .....	55
UPPER ROLLER ASSEMBLY FOR E61, H11 .....	57
LEFT HAND FABRIC TRIMMER ASSEMBLY FOR H21 .....	59
ACCESSORIES .....	61
NEEDLE DIPPER (EXTRA SEND CHARGE) .....	63
ACCESSORIES FOR C02 .....	65
C02 FOLDER(EXTRA SEND & CHARGE) .....	67
SEWING PARTS FOR C02 .....	69
SEWING PARTS FOR E11 .....	71
SEWING PARTS FOR E61 .....	73
SEWING PARTS FOR H01 .....	75
SEWING PARTS FOR H11/PL1, H11/PL1S .....	77
SEWING PARTS FOR H21 .....	79
SEWING PARTS FOR K01, K02 .....	81
SEWING PARTS FOR U03 .....	83
SEWING PARTS FOR U06 .....	85
NUMERICAL INDEX OF PARTS .....	86
NUMERICAL INDEX OF PARTS .....	87
NUMERICAL INDEX OF PARTS .....	88
NUMERICAL INDEX OF PARTS .....	89
NOTES .....	90
NOTES .....	91





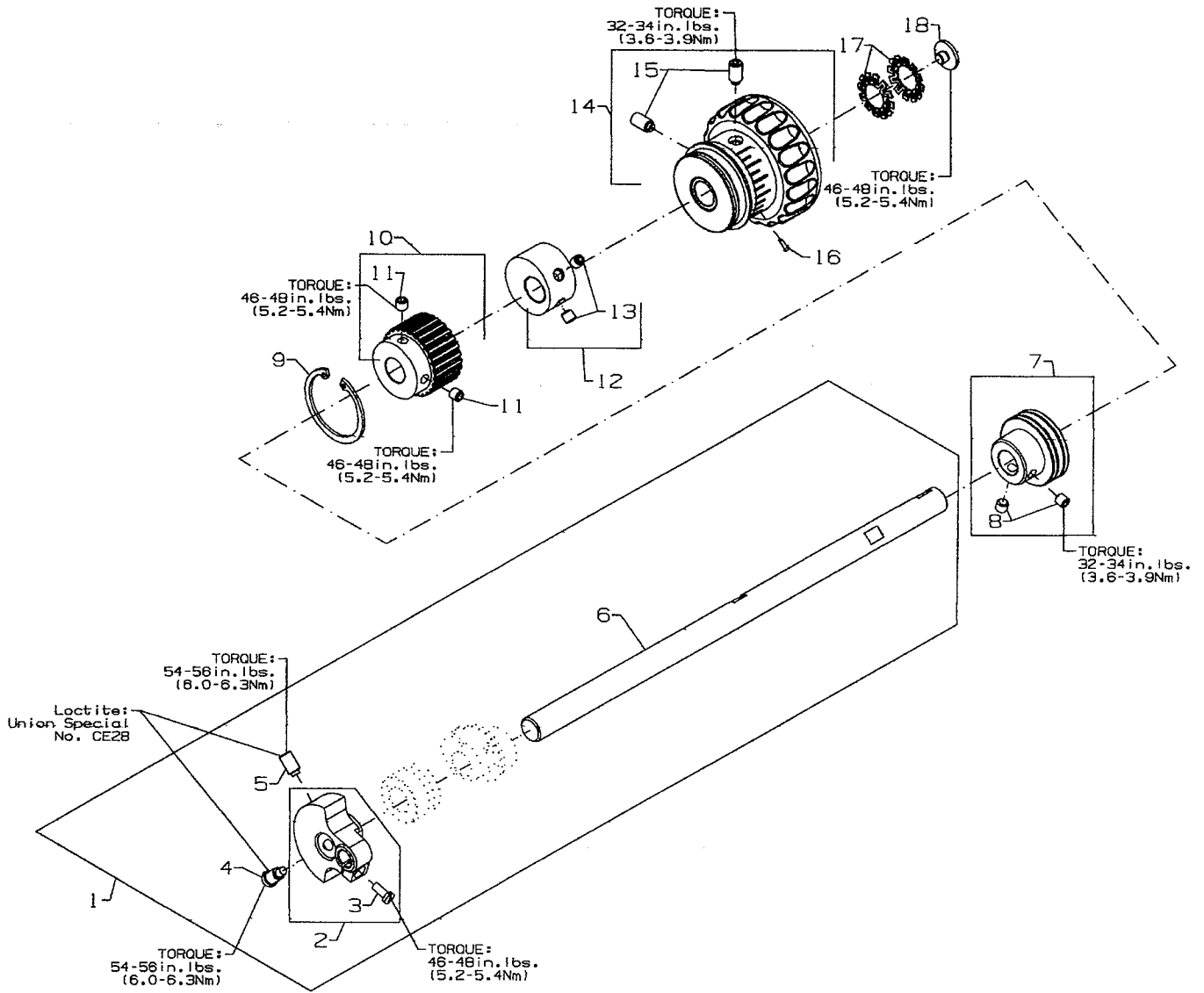
## BUSHINGS

Ref. No.	Part No.	Description	Amt. Req.
1.	50347E	Bushing, for spreader, rear .....	1
2.	50347F	Bushing, for spreader, front .....	1
3.	50354J	Bushing, for needle bar, upper .....	1
4.	50344BU	Bushing, for upper main shaft, front .....	1
5.	50332U	Pin .....	1
6.	50347L	Bushing, for spreader drive .....	1
7.	50354H	Bushing, for needle bar, lower .....	1
8.	50330CZ	Bushing, for presser bar .....	1
9.	99352	Stop Screw .....	2
10.	999-212-035	Stop .....	1
11.	22894BD	Screw, for cast-off plate stud .....	1
12.	96841	Pin .....	1
13.	34390	Bushing, for main shaft, left .....	1
14.	50393EZ	Oil Seal .....	1
15.	34336C	Bushing, for feed rocker, left .....	1
16.	34336D	Bushing, for feed lifter shaft, left .....	1
17.	34336B	Bushing, for feed rocker shaft, right .....	1
18.	34336E	Bushing, for feed lifter shaft, right .....	1
19.	22565C	Set Screw .....	1
20.	50344BP	Bushing, for main shaft, middle .....	1
21.	34394A	Oil Tube .....	1
22.	50393KW	Oil Tube .....	1
23.	22894AD	Screw .....	1
24.	999-211B	"O" Ring .....	1
25.	50344BL	Bushing, for cast-off plate bracket .....	1
26.	PS0400142KH	Pin .....	1
27.	50381E	Bushing, for lifter lever, back .....	1
28.	50392AB	Bushing, for tension release .....	1
29.	22571F	Plug Screw .....	2
30.	34394B	Oil Tube .....	1
31.	50393GF	Oil Sight Gauge .....	1
32.	34342G	Bushing, for looper drive shaft, front .....	1
33.	50344BN	Differential Feed Adjusting Assembly .....	1
34.	50322AZ	Differential Feed Adjusting Shaft .....	1
35.	RO037180100	"O" Ring .....	1
36.	50344BK	Differential Adjusting Bushing .....	1
37.	34342F	Bushing, for looper drive shaft rear .....	1
38.	22829	Screw .....	1
39.	50344AV	Bushing .....	1
40.	SS8660612TP	Screw .....	1
41.	999-211	"O" Ring .....	1



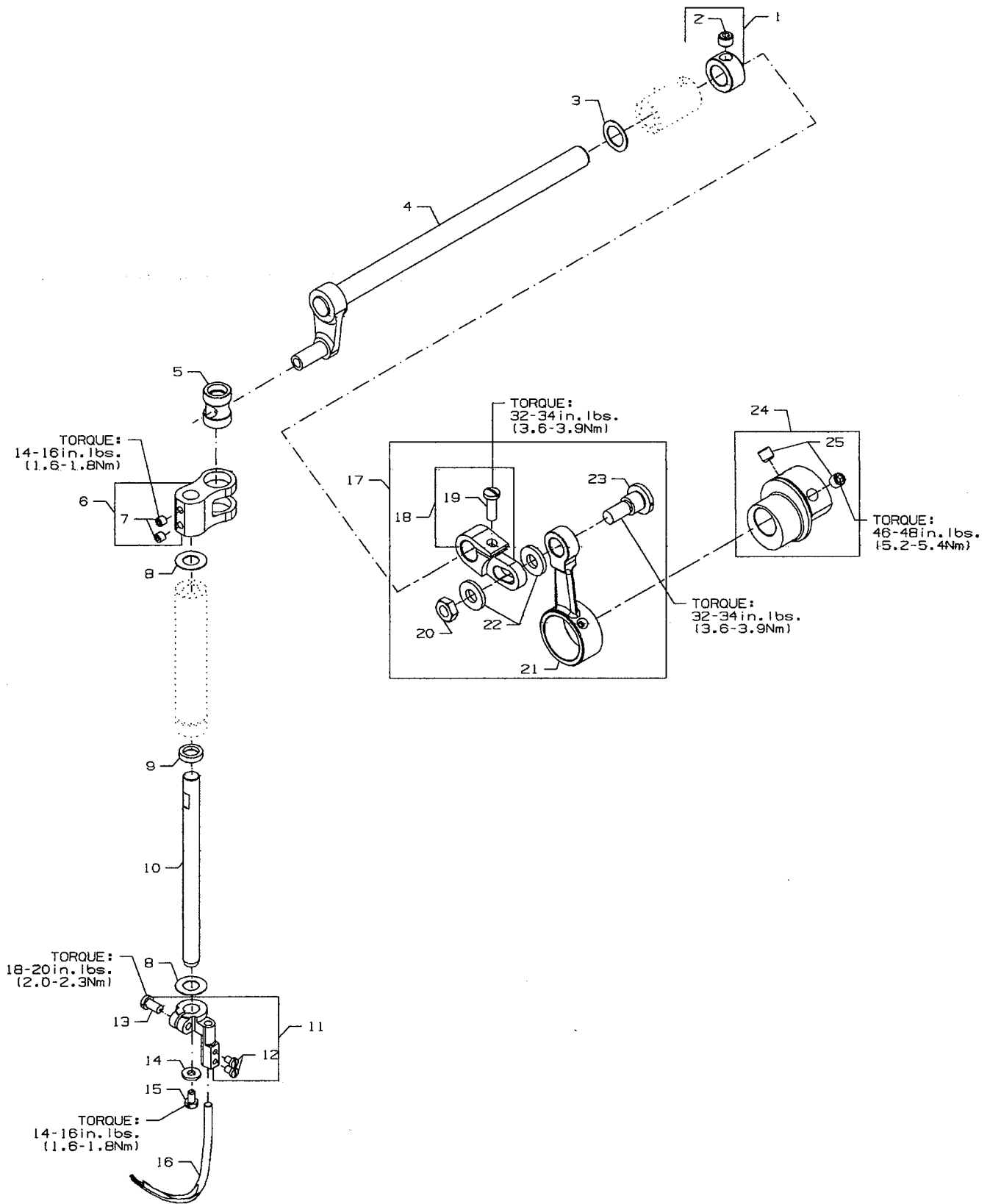
## NEEDLE BAR

Ref. No.	Part No.	Description	Amt. Req.
1.	SS4080620TP	Screw .....	1
2.	50323P	Needle Bar Eyelet .....	1
3.	50317B	Needle Bar .....	1
4.	50345W	Connecting Rod Assembly .....	1
5.	50355AM	Needle Bar Clamp .....	1
6.	SS7111120TP	Screw .....	1
7.	50352	Pivot Pin .....	1
8.	661-259B	Needle Bearing Cage .....	1
9.	50355AN	Connecting Rod .....	1
10.	50351A	Washer .....	1
11.	50393JP	Eyelet Seal .....	1
12.	50358X	Needle Thread Eyelet .....	1
13.	SS7080520SP	Screw .....	1
-	CE27	Loctite Adhesive, (not shown), for screw .....	-
14.	50354F	Slide Block .....	1
-	CE63	Three Bond Adhesive, (not shown), for slide block .....	-
15.	SS8110422TP	Screw .....	1
16.	29476TC	Oil Tube Assembly .....	1
17.	CQ25220000	Wick .....	1
18.	50393JY	Oil Tube .....	1
19.	50393JZ	Oil Tube .....	1
20.	50393JW	Hose Clamp .....	1
21.	SS6090440SP	Screw, for support bracket .....	1
22.	SS6121010SP	Screw .....	2
23.	29476TH	Slide Block Guide Assembly .....	1
24.	50354G	Slide Block Guide .....	1
-	50393HS	Sponge .....	1
25.	CE59	Loctite Adhesive, (not shown), for sponge .....	-
26.	50394AF	Slide Block Guide Cover .....	1
27.	SS6090620SP	Screw .....	1
28.	666-329	Felt .....	1



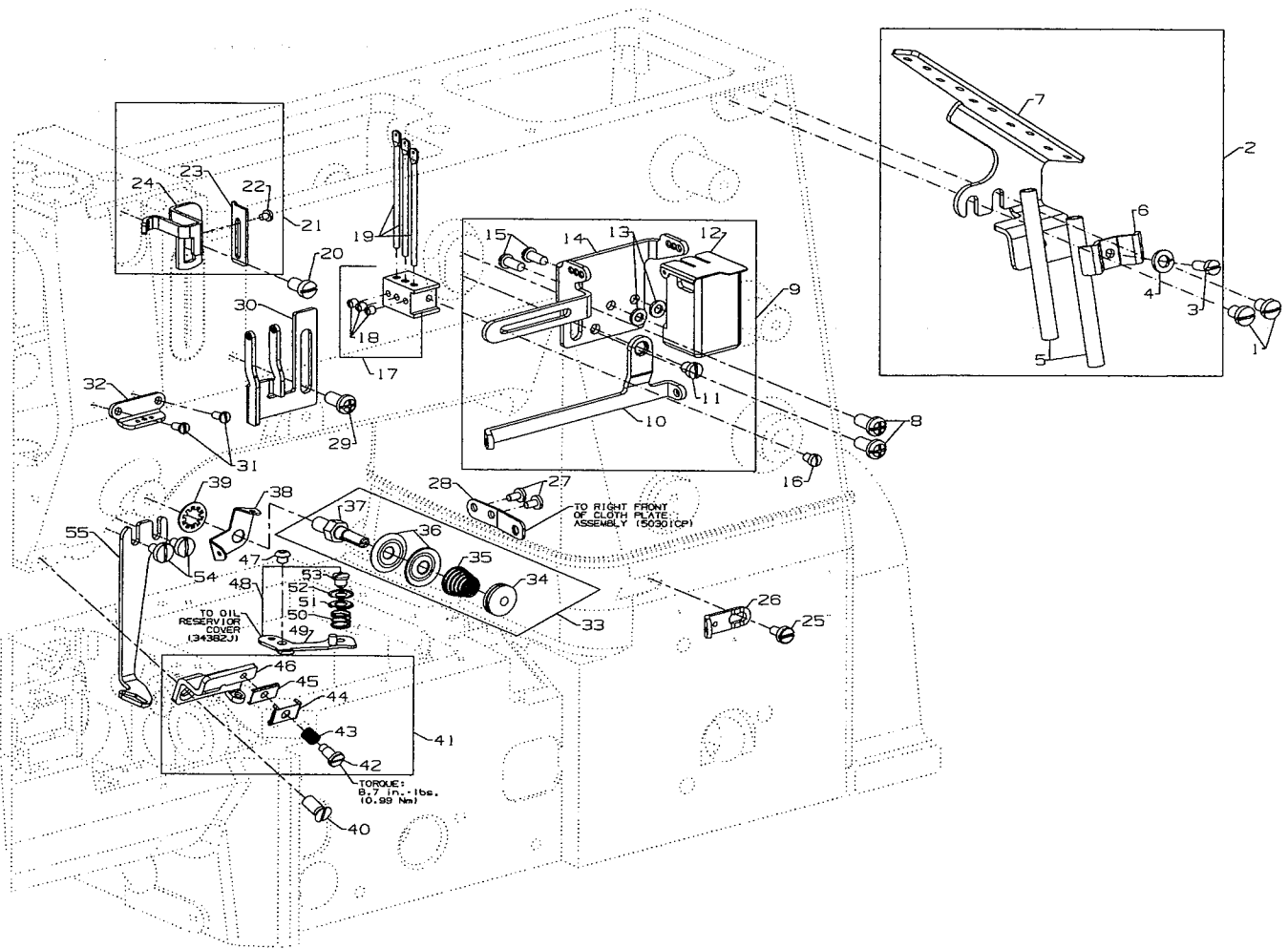
## UPPER MAIN SHAFT

Ref. No.	Part No.	Description	Amt. Req.
1.	50322BB	Upper Main Shaft Assembly .....	1
2.	50391	Counter Weight .....	1
3.	SS7111120TP	Screw, for counter weight .....	1
4.	SS7681410TP	Screw, for counter weight .....	1
5.	SS8681412TP	Screw, for counter weight .....	1
6.	50322AF	Upper Main Shaft .....	1
7.	50335BD	Bearing Adapter Assembly .....	1
8.	SS8660612TP	Screw, for bearing adapter .....	2
9.	661-262	Retaining Ring .....	1
10.	50342AY	Sprocket, for upper main shaft .....	1
11.	SS8661012TP	Set Screw, for sprocket .....	2
12.	50391A	Counterweight .....	1
13.	SS8660612TP	Screw .....	2
14.	50321M	Handwheel .....	1
15.	SS8681412TP	Set Screw, for handwheel .....	2
16.	660-1043	Tack Pin, for hand wheel .....	1
17.	661-261	Load Ring, for lower main shaft .....	2
18.	SS7660520SP	Screw, for handwheel preload .....	1



## SPREADER

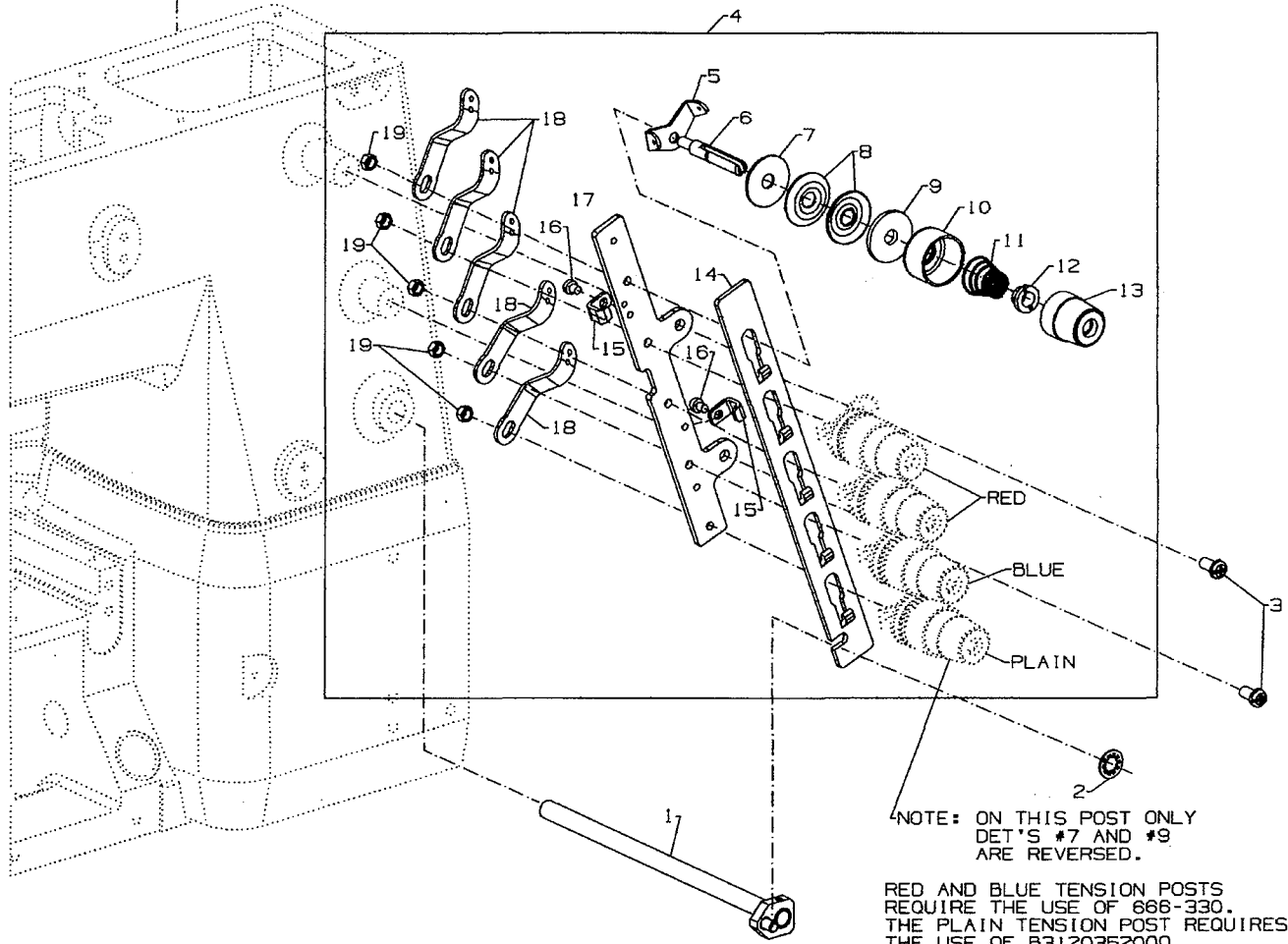
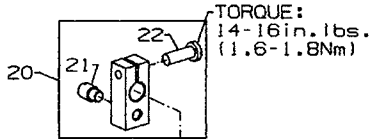
Ref. No.	Part No.	Description	Amt. Req.
1.	50335AW	Collar, for spreader shaft .....	1
2.	SS8660512TP	Set Screw .....	1
3.	96162B	Washer .....	1
4.	50360B	Crankshaft, for spreader assembly .....	1
5.	50347J	Pin, for spreader rocker .....	1
6.	50347C	Lever, for spreader holder shaft .....	1
7.	SS8110422TP	Screw .....	2
8.	61351C	Washer .....	2
9.	660-739	Oil Seal .....	1
10.	50347G	Shaft, for spreader, vertical .....	1
11.	50346A	Spreader Holder .....	1
12.	SS7080510TP	Screw .....	2
13.	SS7110910TP	Screw .....	1
14.	53678N	Washer .....	1
15.	SS9090640SP	Hex Screw, for vertical shaft .....	1
16.	50360H	Spreader .....	1
17.	29126FW	Spreader Crank Rod Assembly .....	1
18.	50360G	Spreader Shaft Driving Arm .....	1
19.	SS7121410TP	Screw .....	1
20.	NS6680410SP	Hex Nut, for spreader drive .....	1
21.	50360F	Connecting Rod, for spreader drive .....	1
22.	WP0742016SP	Collar, for spreader driving arm .....	2
23.	SD1000801SH	Stud .....	1
24.	50360	Eccentric, for spreader drive .....	1
25.	SS8660612TP	Screw .....	2





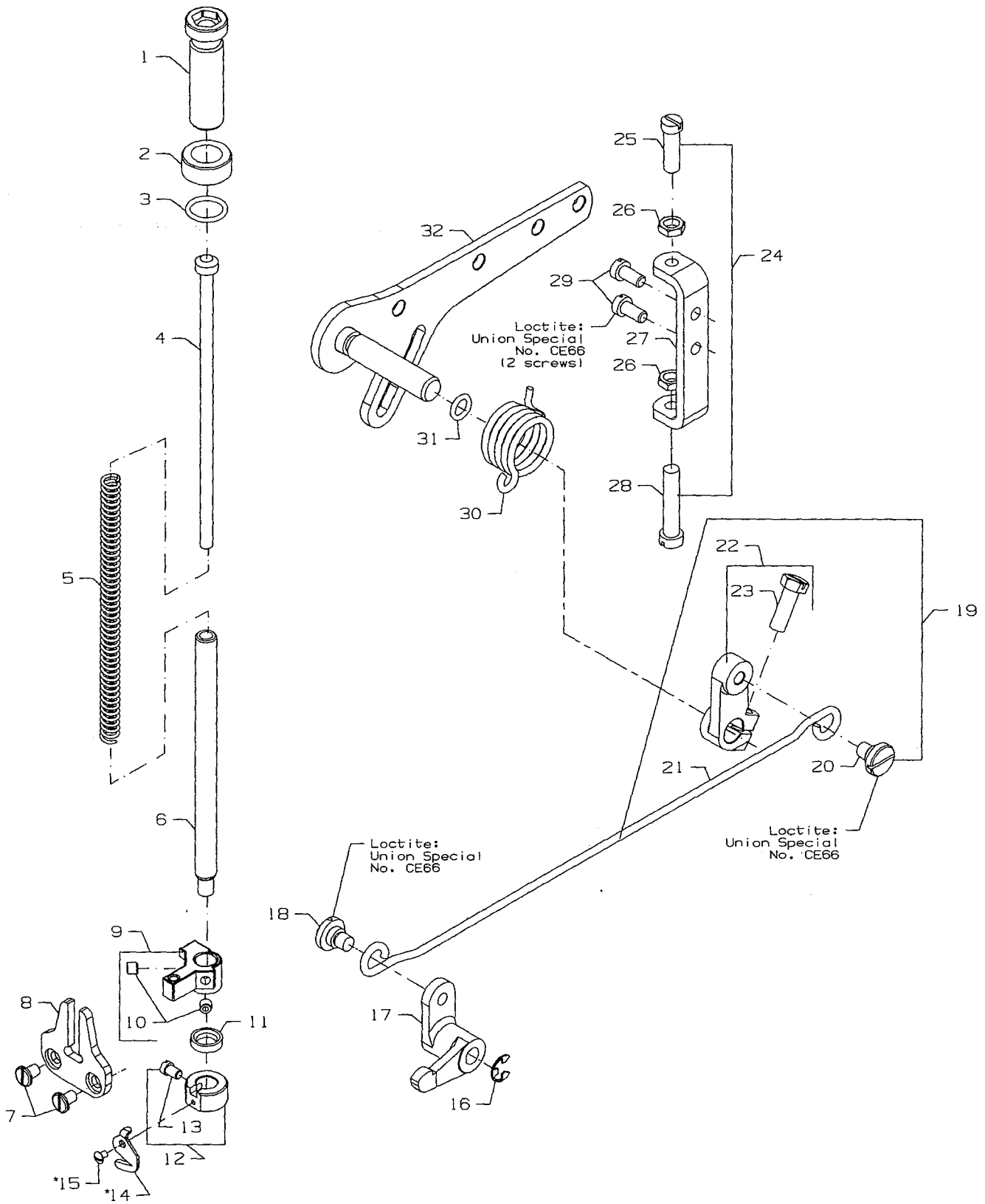
## THREAD GUIDE

Ref. No.	Part No.	Description	Amt. Req.
1.	SS7120640SP	Screw, for lead-in eyelet .....	2
2.	50392AU	Thread Eyelet Assembly .....	1
3.	SS7090910TP	Screw, for tube bracket .....	1
4.	WS0510002KP	Washer .....	1
5.	50366	Thread Eyelet Tube .....	2
6.	50366A	Thread Eyelet Tube Bracket .....	1
7.	50392S	Lead-in Tension Eyelet .....	1
8.	SS4120615SP	Screw, for spreader thread guide .....	2
9.	50363CK	Needle Thread Guide & Lubricator Assembly .....	1
10.	50358U	Thread Guide, for spreader .....	1
11.	SS7110410SP	Screw, for needle thread guide .....	1
12.	50393HH	Silicone Thread Lubricator .....	1
13.	WS0371026SD	Washer .....	2
14.	50366J	Needle Thread Guide .....	1
15.	SS4090815SP	Screw, for silicone tank .....	2
16.	SS7080510TP	Screw, for holder eyelet .....	1
17.	50358W	Holder, for needle thread eyelet .....	1
18.	SS8080410TP	Screw .....	3
19.	36271A	Adjusting Needle Thread Eyelet .....	3
20.	SS7120710SP	Screw, for strike-off .....	1
21.	50366B	Needle Thread Strike-Off Assembly .....	1
22.	SS7060310SP	Screw, for plate strike-off .....	1
23.	50370F	Thread Strike-Off Component .....	1
24.	50358V	Needle Thread Strike-Off .....	1
25.	98A	Screw .....	1
26.	12124202	Looper Frame Eyelet .....	1
27.	87U	Screw .....	1
28.	34358F	Looper Thread Guide .....	1
29.	SS4120915SP	Screw, for thread take-up cover .....	1
30.	50392T	Eyelet .....	1
31.	605A	Screw, for needle thread guide .....	2
32.	C50044E	Needle Thread Guide .....	1
33.	29475CG	Spreader Thread Tension Assembly .....	1
34.	50392AZ	Tension Nut .....	1
35.	50392AY	Tension Spring .....	1
36.	50392AX	Tension Disc .....	2
37.	50392AW	Tension Post .....	1
38.	57844	Eyelet .....	1
39.	652C16	Star Washer .....	1
40.	SS1121010SP	Screw, for thread guide .....	1
41.	50357AR	Nipper Plate Assembly .....	1
42.	SD0380551SL	Shoulder Screw .....	1
43.	50357AS	Nipper Spring .....	1
44.	50357Y	Nipper Spring Plate .....	1
45.	50357V	Nipper Plate .....	1
46.	50366G	Thread Guide .....	1
47.	18C1471	Screw .....	2
48.	29480AYJ	Looper Thread Nipper .....	1
49.	50366L	Eyelet .....	1
50.	50357AV	Spring, Nipper .....	1
51.	50357AT	Nipper Plate .....	1
52.	50357AX	Nipper Plate .....	1
53.	50357AW	Screw, Tension Post .....	1
54.	SS7090610SP	Screw, for spreader thread guide .....	2
55.	50346	Thread Guide Spreader .....	1



## TENSION RELEASE & THREAD TENSION

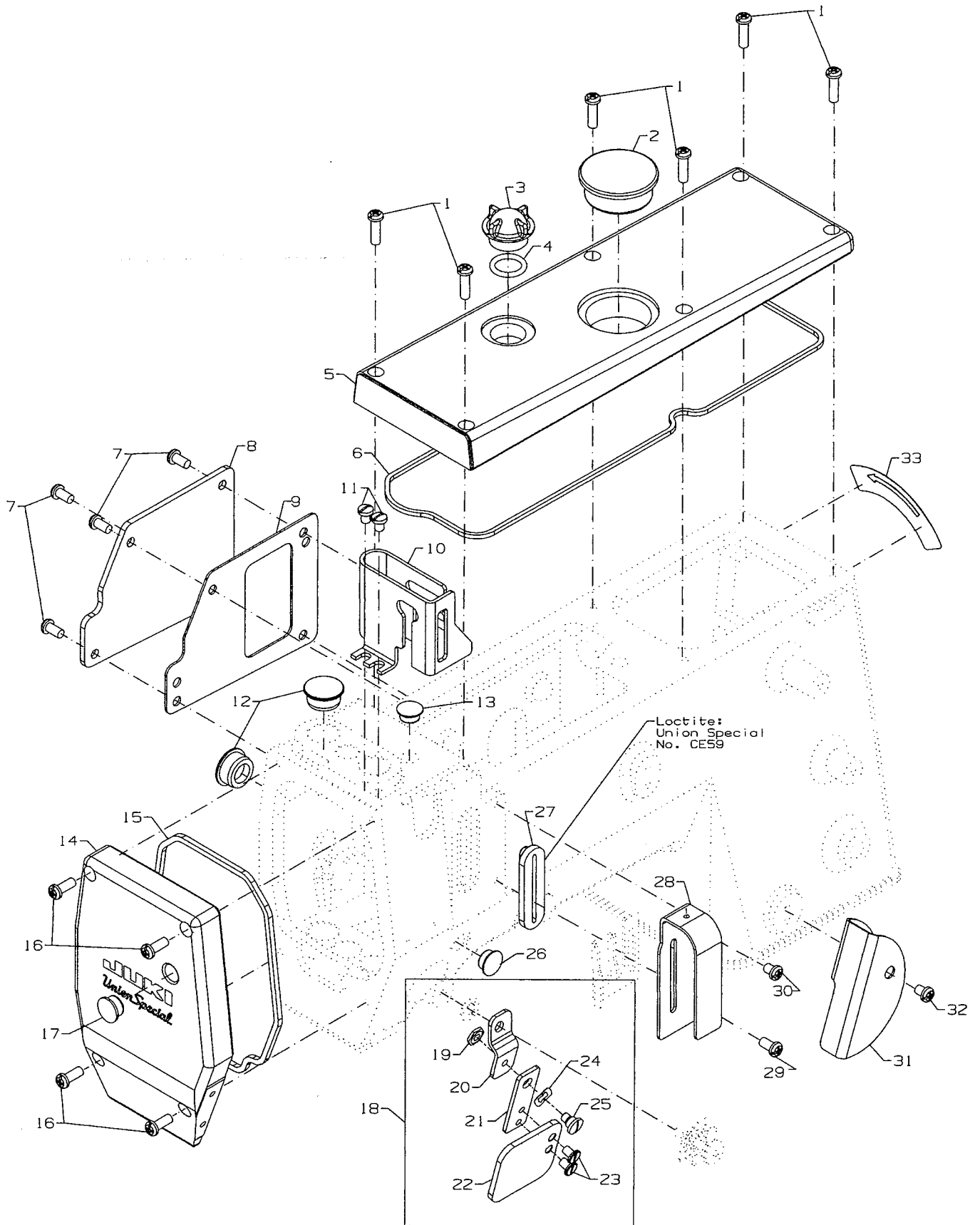
Ref. No.	Part No.	Description	Amt. Req.
1.	50392Z	Tension Needle Lever Assembly .....	1
2.	660-283A	Retainer Washer .....	1
3.	SS4120915SP	Screw, for tension assembly .....	2
4.	50392Y	5 Thread Tension Assembly .....	1
5.	57892K	Thread Tension Eyelet .....	5
6.	56392G	Tension Post .....	5
7.	B3120352000	Tension Disc Felt .....	1
-	666-330	Disc Felt .....	4
8.	B3126012000	Tension Disc .....	10
9.	B3120704000	Tension Disc Felt .....	5
10.	56392H	Spring Shield .....	5
11.	11550209	Spring, needle (green) .....	3
-	B3103804000	Spring, spreader (blue) .....	1
-	B3121804000	Spring, looper (plain) .....	1
12.	B3112704000	Ferrule, tension spring .....	5
13.	50692G	Knob, needle (green) .....	3
-	56392M	Knob, spreader (blue) .....	1
-	56392R	Knob, looper (plain) .....	1
14.	50392W	Tension Disc Separator .....	1
15.	50392AV	Guide, for tension disc separator .....	2
16.	SS7090520SP	Screw, for guide .....	2
17.	50392X	Tension Bracket .....	1
18.	57865	Lead-In Thread Guide .....	5
19.	NS6110420SP	Nut .....	5
20.	50392BC	Tension Release Lever Shaft Connection .....	1
21.	22875N	Base Spring Screw .....	1
22.	SS7121410TP	Binder Screw .....	1



## PRESSER FOOT LIFT

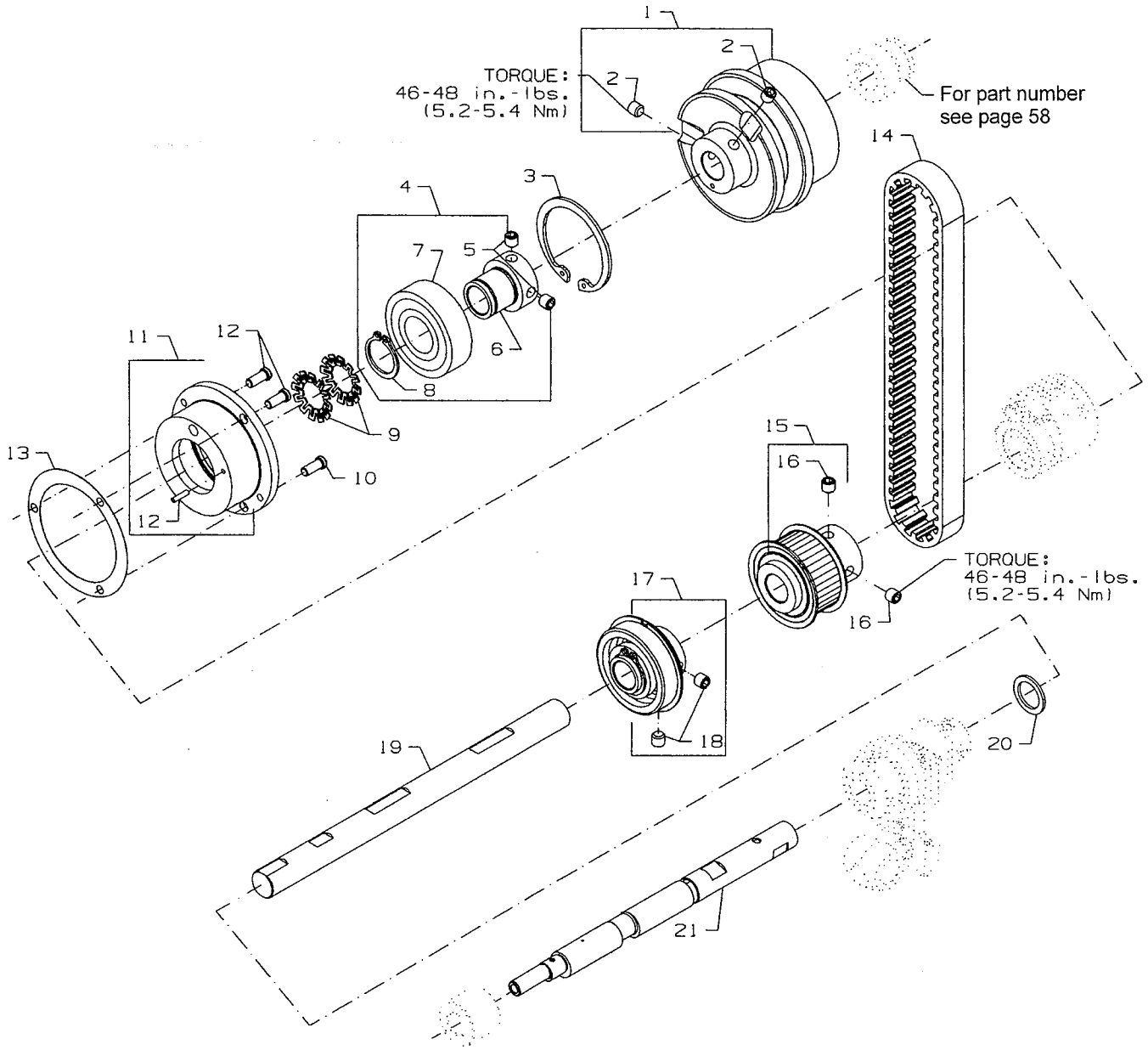
Ref. No.	Part No.	Description	Amt. Req.
1.	11071602	Adjusting Screw, for spring .....	1
2.	11071701	Locking Nut .....	1
3.	660-1014	"O" Ring .....	1
4.	C50056B	Spring Rod .....	1
5.	50357AP	Spring, for presser bar .....	1
6.	50335AF	Presser Bar .....	1
7.	SS6110610TP	Screw, for guide plate .....	2
8.	50335AG	Guide Plate, for presser bar .....	1
9.	50335AH	Presser Bar Guide .....	1
10.	SS8110422TP	Set Screw .....	2
11.	660-739	Oil Seal .....	1
12.	50333P	Collar .....	1
13.	22562	Screw .....	2
*14.	B1528804000A	Chain Knife .....	1
*15.	SS5060410SP	Screw, for chain knife .....	1
16.	RE0500000K0	E Ring, for pin .....	1
17.	50381F	Lever, for lifter, front .....	1
18.	SD0790303SP	Screw, for wire connector .....	1
-	CE66	Loctite Adhesive, (not shown), for screw .....	-
19.	29476TK	Rear Lifter Lever Assembly .....	1
20.	SD0790303SP	Screw .....	1
21.	50355AR	Wire Connector .....	1
22.	50381G	Lifter Lever, rear .....	1
23.	SS9151740CP	Hex Screw .....	1
24.	29476TT	Stop Assembly .....	1
25.	SS6151920SP	Screw, for stopper .....	1
26.	NS6150310SP	Hex Nut .....	2
27.	50332V	Stopper, for lifter lever .....	1
28.	SS6153040SP	Screw, for adjusting stopper .....	1
29.	SS6121010SP	Screw, for adjusting stopper .....	2
-	CE66	Loctite Adhesive, (not shown), for screw .....	-
30.	50381	Spring, for lifter lever .....	1
31.	RO068190100	"O" Ring .....	1
32.	50381B	Lifter Lever Assembly .....	1

\*Basic Style Machine H01, H21, K01, K02, U03, and U06 only



COVERS, UPPER ARM

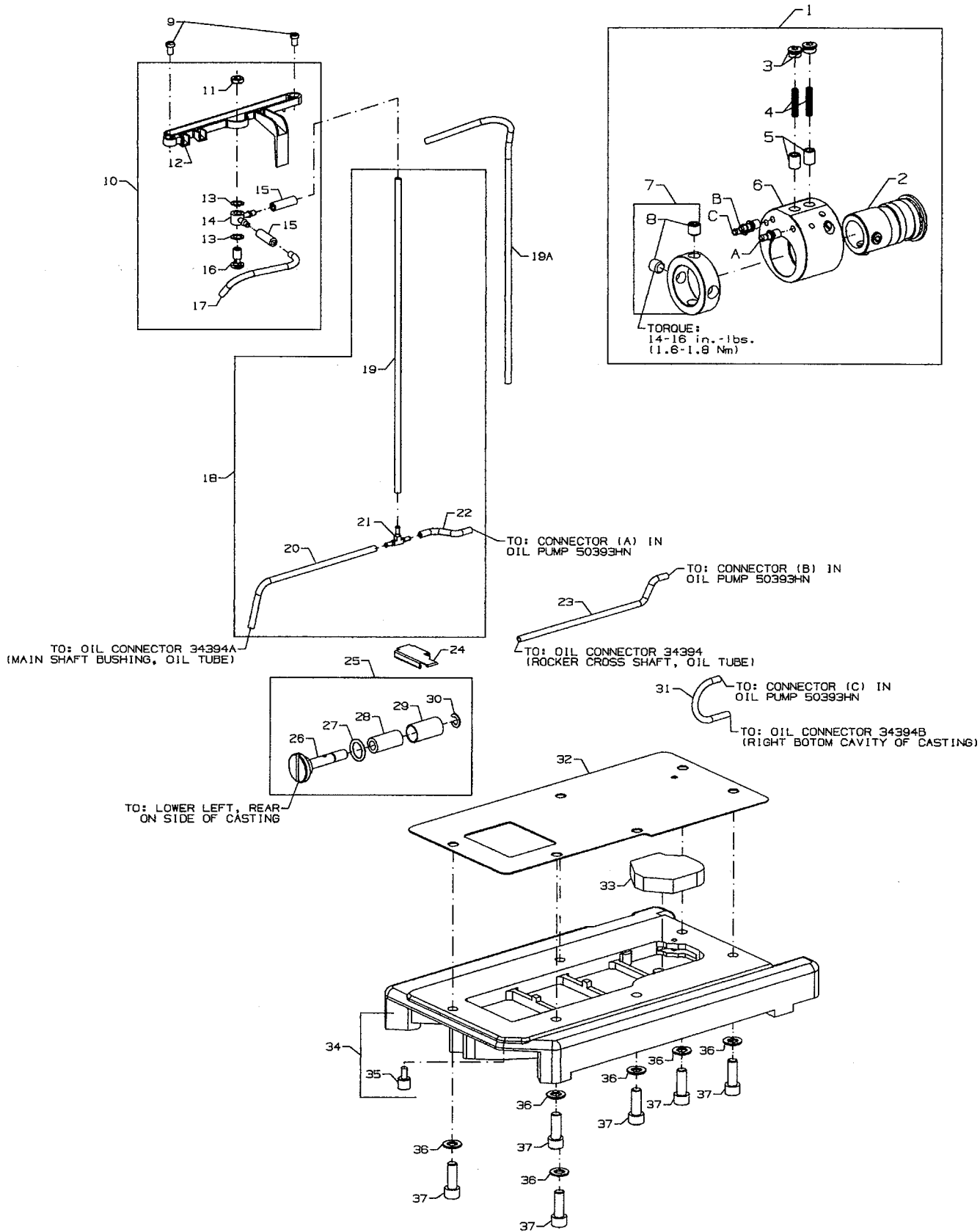
Ref. No.	Part No.	Description	Amt. Req.
1.	SS4121615SP	Screw, for top cover .....	6
2.	50393EU	Plug, for top cover .....	1
3.	B3530555000	Oil Sight Gauge, top .....	1
4.	660-212	"O" Ring, for oil sight gauge .....	1
5.	50382FW	Top Cover .....	1
6.	50382FZ	Quad Ring, for top cover .....	1
7.	SS4120915SP	Screw, for puller drive cover .....	4
8.	50382GB	Puller Drive Cover .....	1
9.	50384L	Gasket, for puller drive cover .....	1
10.	50317C	Needle Bar Guard .....	1
11.	SS7120640SP	Screw, for needle bar guard .....	2
12.	50393HB	Plug .....	2
13.	TA1050504R0	Plug, for arm .....	1
14.	50382FX	Head Cover .....	1
15.	50382FY	Quad Ring, for head cover .....	1
16.	SS4121215SP	Screw, for head cover .....	4
17.	TA1100604R0	Plug .....	1
18.	99682XCB	Sewing Guard Assembly .....	1
19.	NS6620320SP	Nut .....	1
20.	50383AE	Bracket Holder .....	1
21.	50383AD	Bracket .....	1
22.	99682XC	Protection Shield .....	1
23.	SS1110640SL	Counter Sunk Head Screw .....	2
24.	WZ0641510KP	Spring Washer .....	1
25.	SD0640323TP	Shoulder Screw .....	1
26.	TA1050504R0	Plug .....	1
27.	50393EW	Rubber Gasket, for needle lever .....	1
28.	50382GA	Thread Take-Up Bracket .....	1
29.	SS4120915SP	Screw, for thread take-up cover .....	1
30.	SS4120615SP	Screw, for thread cover .....	1
31.	50382GM	Thread Cover .....	1
32.	SS4120615SP	Screw, for thread cover .....	1
33.	LA451	Label, in direction of rotation .....	1





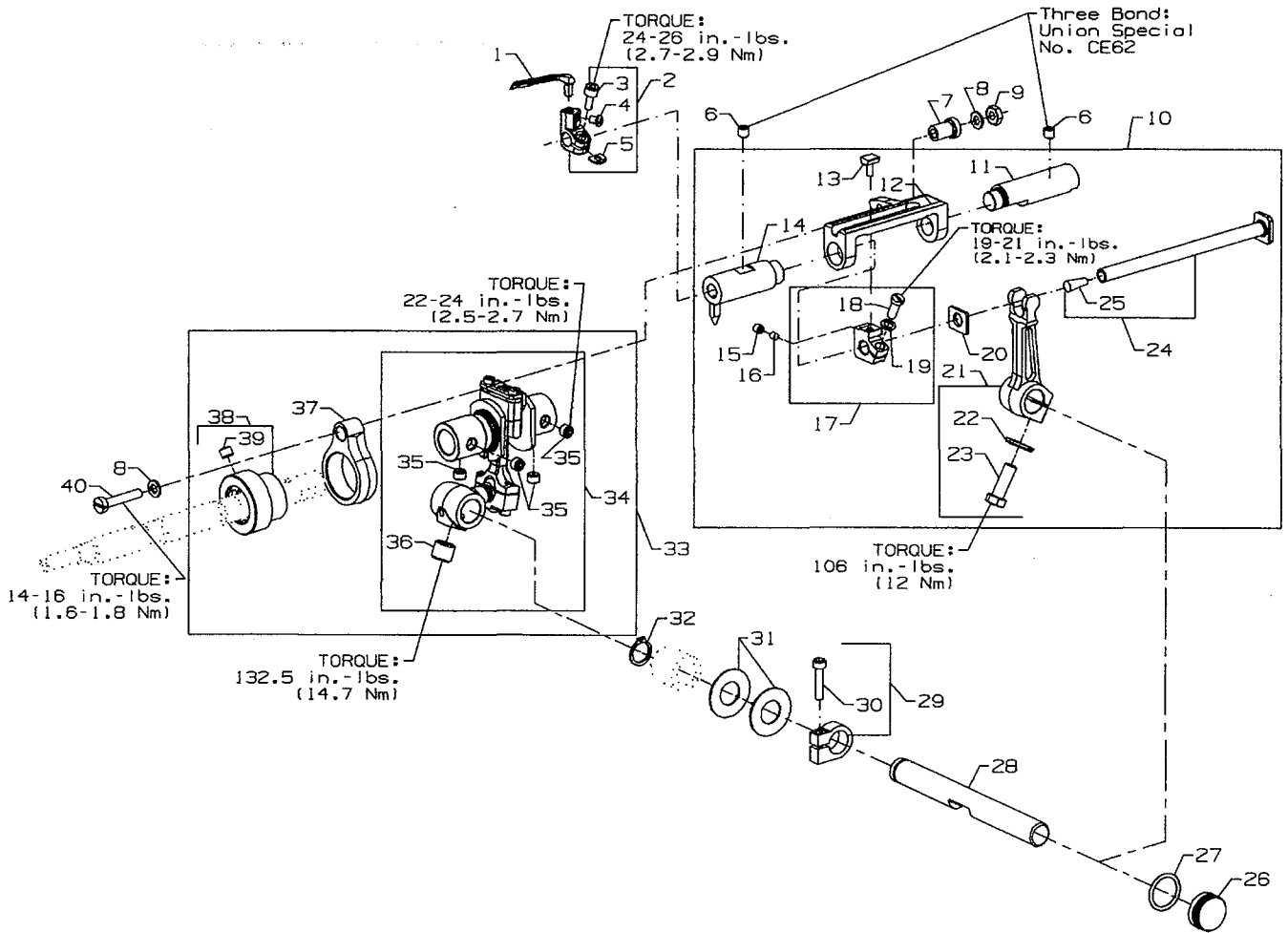
## LOWER MAIN SHAFT

Ref. No.	Part No.	Description	Amt. Req.
1.	50321J	Pulley .....	1
2.	SS8660612TP	Set Screw .....	2
3.	661-348	Retainer Ring .....	1
4.	50344AR	Bearing Adaptor Assembly .....	1
5.	SS8660612TP	Screw .....	2
6.	50335AP	Adaptor .....	1
7.	50311C	Ball Bearing, for lower main shaft, right .....	1
8.	50322AN	Retainer, for sprocket .....	1
9.	661-261	Load Ring .....	2
10.	22569B	Screw, for housing .....	3
11.	50390L	Rear Bearing Housing .....	1
12.	99658	Housing Pin .....	1
13.	56390E	Housing Gasket .....	1
14.	50342BD	Timing Belt .....	1
15.	50342BH	Sprocket, for lower main shaft .....	1
16.	SS8660612TP	Set Screw .....	2
17.	50335BC	Bearing Adapter Assembly .....	1
18.	SS8660612TP	Screw .....	2
19.	50322AH	Lower Main Shaft, right .....	1
20.	96162A	Washer .....	1
21.	50322BG	Mainshaft, left .....	1



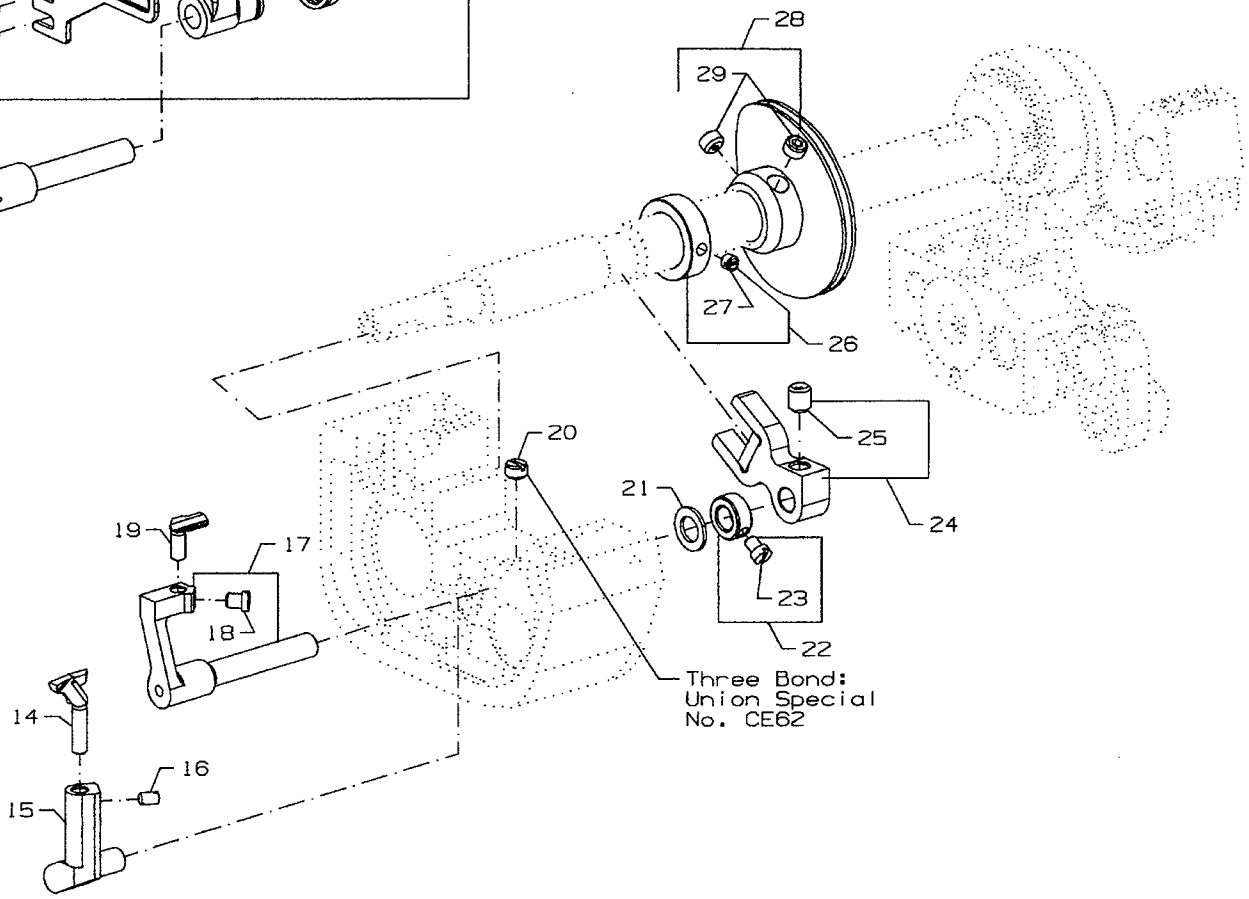
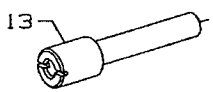
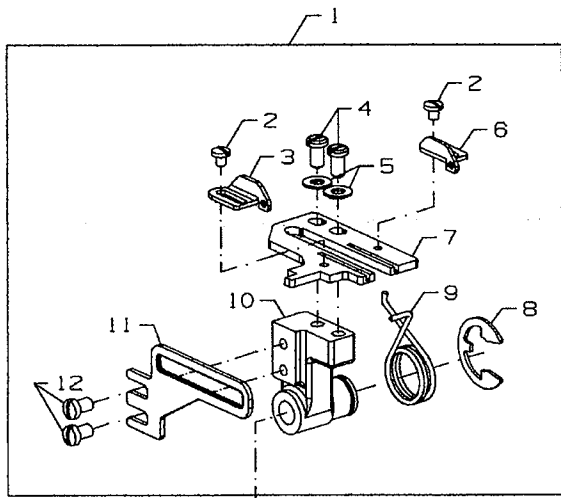
## LUBRICATION, OIL TUBING & OIL PUMP

Ref. No.	Part No.	Description	Amt. Req.
1.	50393HN	Oil Pump Assembly, 2 stage .....	1
2.	50393GD	Oil Pump Housing, 2 Stage .....	1
3.	18-1470	Screw .....	2
4.	50332S	Spring, for plunger .....	2
5.	34393D	Plunger .....	2
6.	50393GB	Oil Pump Housing, 2 Stage .....	1
7.	50393EX	Collar .....	1
8.	SS8660612TP	Screw .....	2
9.	SS7120710SP	Screw .....	2
10.	29476TR	Oil Supply Trough Assembly .....	1
11.	258A	Nut .....	1
12.	50393FH	Oil Supply Trough .....	1
13.	41350X	Washer .....	2
14.	C50094B	Connector Dual Feed .....	1
15.	50393GT	Oil Tube Cover .....	2
16.	50393HE	Plug Screw .....	1
17.	50393FK	Tube .....	1
18.	29476TS	Oil Supply Trough Assembly .....	1
-	29476VL	Oil Supply Trough Assembly for Puller Machine Styles .....	1
19.	50393FF	Oil Tube .....	1
19A.	50393KV	Oil Tube .....	1
20.	50393FG	Oil Tube .....	1
21.	50393GU	"T" Connector .....	1
22.	50393FD	Oil Tube .....	1
23.	50393FE	Oil Tube .....	1
24.	50393LA	Oil Screen .....	1
25.	29476TJ	Oil Filter Assembly .....	1
26.	99349	Stud .....	1
27.	660-212	"O" Ring .....	1
28.	34393M	Oil Screen Felt .....	1
29.	34393L	Oil Screen .....	1
30.	96276	Retaining Ring .....	1
31.	50393HV	Oil Tube .....	1
32.	34682C	Gasket .....	1
33.	999-254J	Oil Filter .....	1
34.	50382GS	Base Plate .....	1
35.	22571E	Magnet Plug .....	6
36.	95953	Washer .....	6
37.	95406	Screw .....	1



## LOOPER DRIVE

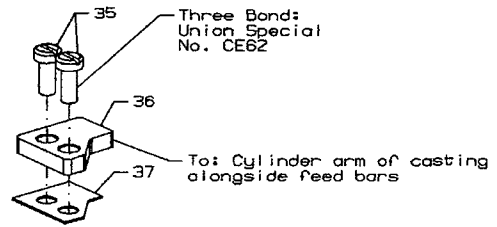
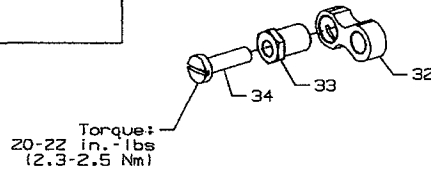
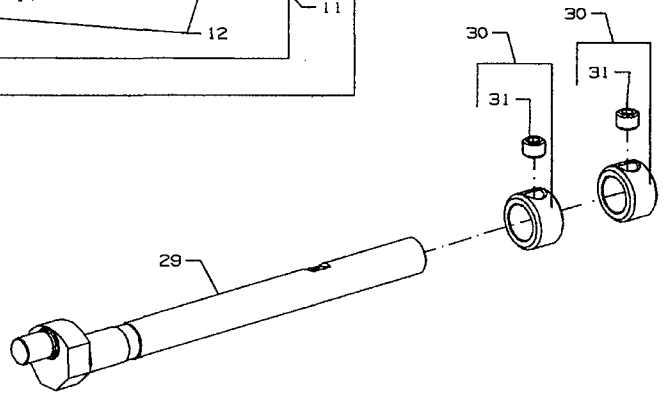
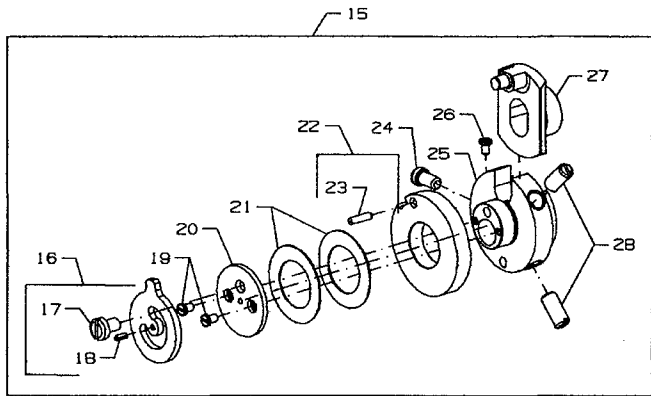
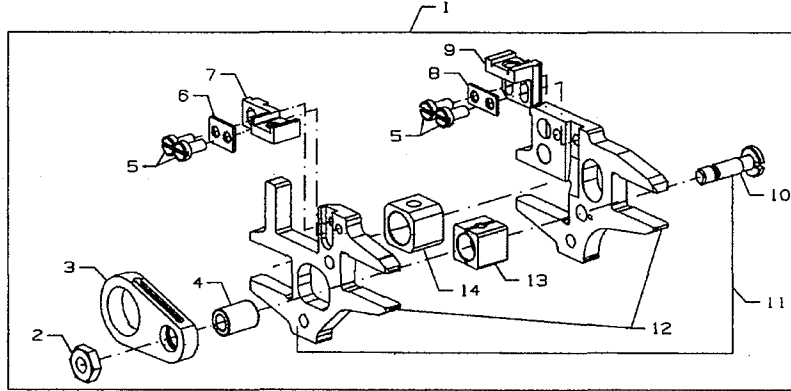
Ref. No.	Part No.	Description	Amt. Req.
1.	34709D	Looper .....	1
2.	50348	Holder, for looper .....	1
3.	SS6091022TP	Screw .....	1
4.	SS6090560TP	Screw .....	1
5.	50313T	Washer .....	1
6.	22894C	Screw .....	2
7.	50344AG	Bushing .....	1
8.	99652A	Washer .....	2
9.	9937	Nut .....	1
10.	29476VK	Looper Drive Assembly .....	1
11.	50343RC	Bushing, for looper bar, right .....	1
12.	34344A	Cam Guide .....	1
13.	34344E	Cam Follower .....	1
14.	50344BM	Bushing, for looper shaft .....	1
15.	22894W	Screw .....	1
16.	39543E	Locking Clamp .....	1
17.	34344D	Cam Guide Holder .....	1
18.	22541B	Screw .....	1
19.	51235G	Washer .....	1
20.	34343C	Washer .....	1
21.	34642A	Looper Rocker Lever .....	1
22.	HA20B	Washer .....	1
23.	22811B	Screw .....	1
24.	50343B	Shaft, for looper .....	1
25.	CO67D	Cork .....	1
26.	34893	Oil Seal Plug, front .....	1
27.	661-253	"O" Ring .....	1
28.	50343C	Looper Rocker Shaft .....	1
29.	34342J	Binder Collar .....	1
30.	22652A12	Screw .....	1
31.	56390H	Thrust Washer .....	2
32.	661-252	Snap Ring .....	1
33.	29105BK	Looper Eccentric Assembly .....	1
34.	G29105F	Drive Lever Crank .....	1
35.	22894X	Screw .....	4
36.	99346	Set Screw .....	1
37.	50335BE	Looper Avoid Link .....	1
38.	50314G	Looper Avoid Eccentric .....	1
39.	SS8660512TP	Screw .....	1
40.	99343	Screw .....	1



Three Bond:  
Union Special  
No. CE62

## LOOPER THREAD TAKE -UP & NEEDLE GUARD

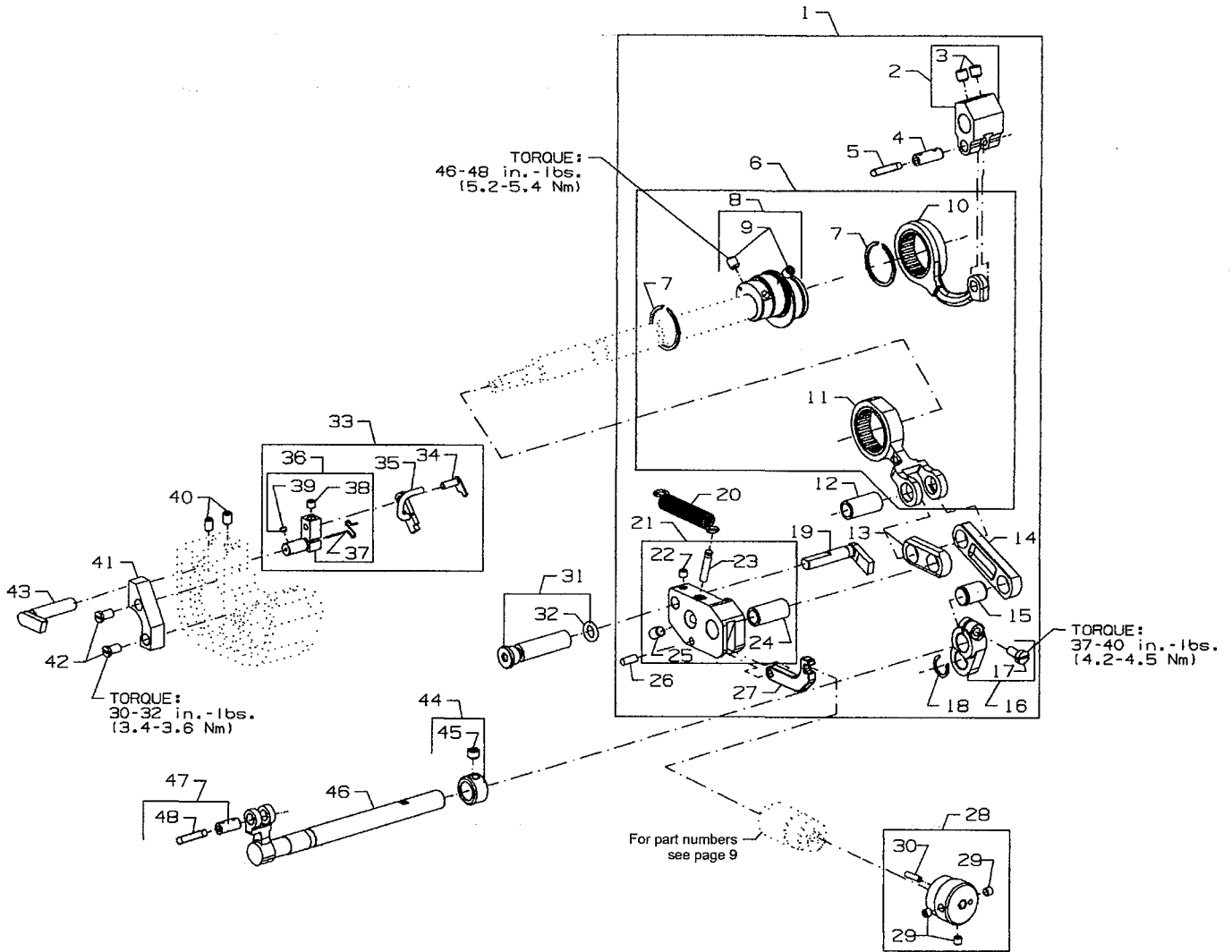
Ref. No.	Part No.	Description	Amt. Req.
1.	29476UA	Cast-Off Plate Assembly .....	1
2.	SS7060310SP	Screw .....	2
3.	34358BA	Thread Guide, left .....	1
4.	SS4080620TP	Screw .....	2
5.	WP0320501SC	Washer .....	2
6.	34358CA	Thread Guide, right .....	1
7.	50357AK	Cast-Off Plate .....	1
8.	RE0900000KO	Retaining Ring .....	1
9.	50357AH	Spring .....	1
10.	50357AG	Holder .....	1
11.	50304M	Finger .....	1
12.	SS7080520SP	Screw .....	2
13.	50357AJ	Shaft, for cast-off .....	1
14.	50325AL	Needle Guard, front .....	1
15.	50325AB	Holder, for needle guard, front .....	1
16.	SS8090540SP	Screw .....	1
17.	50325AM	Holder, for needle guard, rear .....	1
18.	SS6090440SP	Screw .....	1
19.	50325AN	Needle Guard, rear .....	1
20.	22580	Screw .....	1
21.	6042A	Washer .....	1
22.	50333H	Spacer .....	1
23.	77A	Screw .....	1
24.	34368	Fork .....	1
25.	22894AD	Screw .....	1
26.	34366	Collar .....	1
27.	22743	Screw .....	1
28.	50323S	Take Up .....	1
29.	22894T	Screw .....	2





## FEED DRIVE MECHANISM

Ref. No.	Part No.	Description	Amt. Req.
1.	G29476BV	Feed Bar Assembly .....	1
2.	9937	Nut .....	1
3.	34336N	Drive Connection .....	1
4.	39536C	Bushing .....	1
5.	77B	Screw .....	4
6.	50386L	Thrust Plate, differential .....	1
7.	34353A	Differential Feed Dog Holder .....	1
8.	50386M	Thrust Plate, main .....	1
9.	34353	Main Feed Dog Holder .....	1
10.	34336U	Stud .....	1
11.	29476SH	Feed Bar Assembly .....	1
12.	34334S	Main and Differential Feed Bar .....	1
13.	34338	Feed Lift Slide Block .....	1
14.	34338B	Sliding Block .....	1
15.	GA29477AP	Eccentric Assembly .....	1
16.	34336S	Spacing Stop .....	1
17.	90	Screw .....	1
18.	96663	Roll Pin .....	1
19.	22738B	Screw .....	2
20.	34336RA	Washer .....	1
21.	97137	Disc Spring .....	2
22.	34336V	Cam Disc .....	1
23.	96667	Roll Pin .....	1
24.	22562A	Screw .....	1
25.	34336Q	Guide, for eccentric .....	1
26.	22738B	Screw .....	1
27.	34340A	Eccentric .....	1
28.	22503F	Screw .....	2
29.	50322BF	Feed Lift Shaft .....	1
30.	34335J	Collar .....	2
31.	22894X	Set Screw .....	2
32.	34336A	Differential Feed Drive Link .....	1
33.	34337F	Eccentric Bushing .....	1
34.	22874C	Screw .....	1
35.	93	Screw .....	2
36.	34335G	Feed Bar Guide .....	1
37.	34382H	Gasket .....	1



## FEED DRIVE MECHANISM

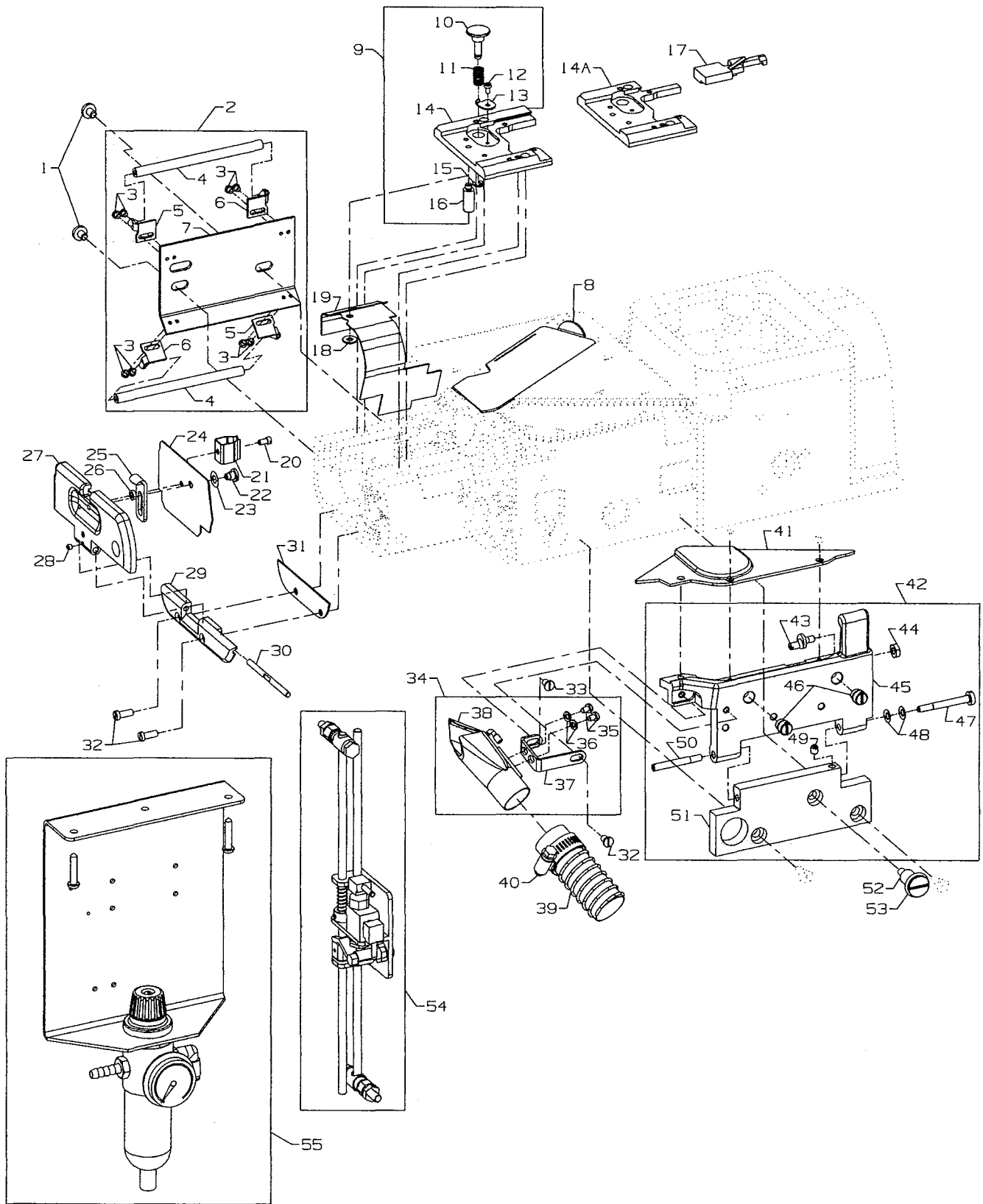
Ref. No.	Part No.	Description	Amt. Req.
1.	29476XT	Feed Drive Assembly .....	1
2.	50367S	Feed Lifter Lever .....	1
3.	SS8660612TP	Set Screw .....	2
4.	G51054	Link Pin .....	1
5.	666-149	Felt Wick .....	1
6.	29476SJ	Feed Bar Subassembly .....	1
7.	999-215	Snap Ring .....	2
8.	34306D	Double Eccentric .....	1
9.	22894AD	Screw .....	2
10.	34335	Connecting Rod Link, for feed link .....	1
11.	34335A	Connecting Rod, for differential feed .....	1
12.	34337	Link Pin .....	1
13.	34337A	Pitman Rod .....	1
14.	34337B	Connecting Rod .....	1
15.	50347T	Link Pin .....	1
16.	34337CA	Differential Feed Drive Lever .....	1
17.	SS6121010SP	Screw .....	1
18.	RC0980615K0	Shim Ring .....	1
19.	34335D	Guide Stud .....	1
20.	96719	Spring .....	1
21.	50383Y	Bracket .....	1
22.	SS8110422TP	Set Screw .....	1
23.	96865	Dowel Pin, Grooved .....	1
24.	34337	Link Pin .....	1
25.	SS8150822TP	Set Screw .....	1
26.	PH0400104U0	Hinge Pin .....	1
27.	50367T	Lever .....	1
28.	50337AP	Knob .....	1
29.	SS8110422TP	Set Screw .....	3
30.	B3215470000	Pin .....	1
31.	50395T	Stud .....	1
32.	999-211E	"O" Ring .....	1
33.	29476TP	Cast-off Plate Release Assembly .....	1
34.	34363C	Stop .....	1
35.	34363B	Pawl .....	1
36.	34363	Pawl Support .....	1
37.	34363A	Spring .....	1
38.	22894W	Screw .....	1
39.	28B	Screw .....	1
40.	22894BD	Set Screw .....	2
41.	34335H	Feed Bar Guide .....	1
42.	22569G	Screw .....	2
43.	34335D	Guide Stud .....	1
44.	34335J	Collar .....	1
45.	22894X	Screw .....	1
46.	34334A	Feed Drive Shaft .....	1
47.	34336P	Link Pin .....	1
48.	666-149	Felt Wick .....	1



COVERS LOWER BED- FRONT  
FOR H01, H11, K01, K02, U03

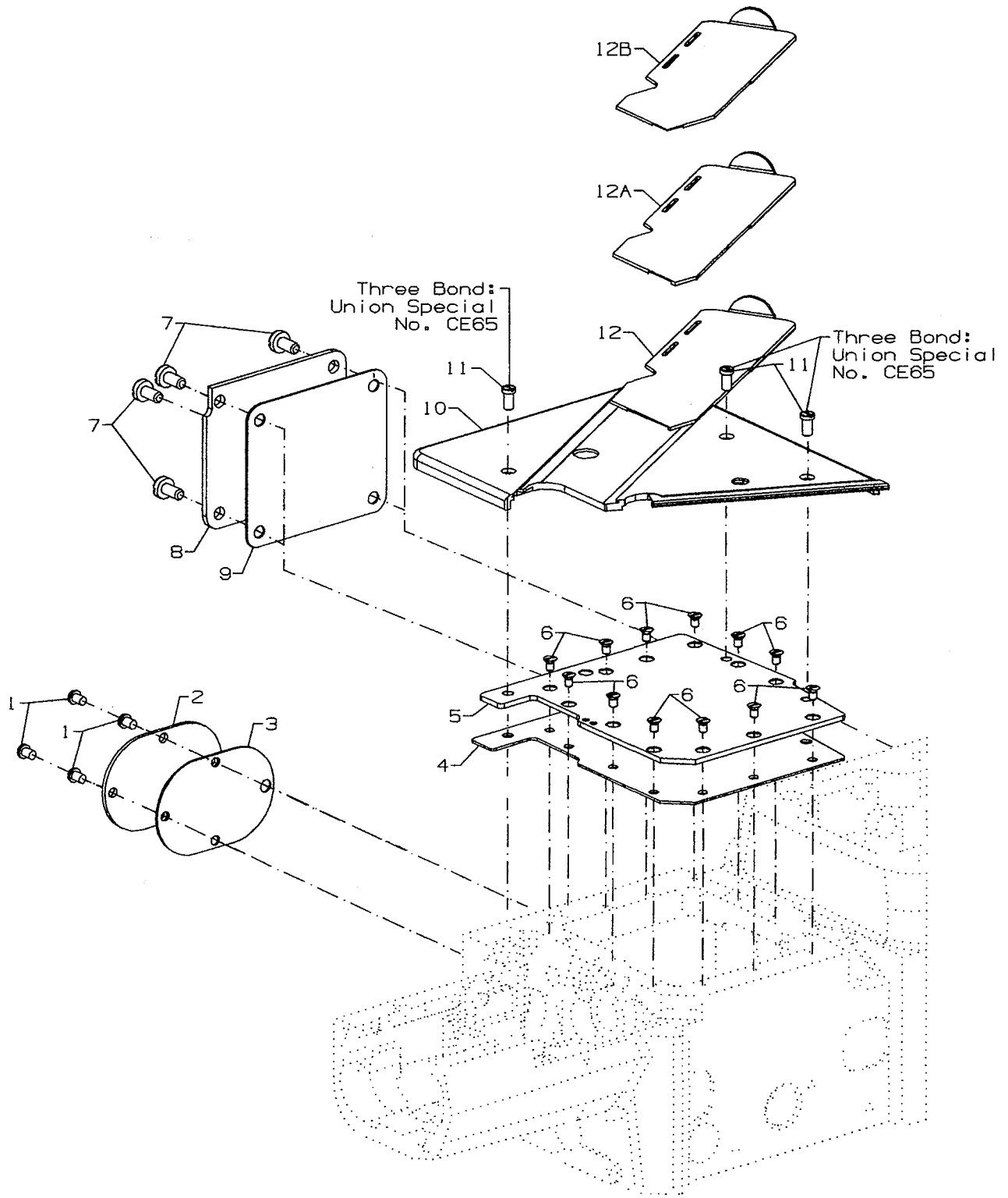
Ref. No.	Part No.	Description	Amt. Req.
1.	29476TU	Cylinder Cover Assembly .....	1
2.	22562B	Screw .....	1
3.	99697J	Latch Spring .....	1
4.	22746	Screw, for handle .....	1
5.	2165D-0.2	Spring Washer, for handle .....	1
6.	34382W	Handle .....	1
7.	50384F	Gasket .....	1
8.	C50063N	Washer .....	1
9.	50382FV	Cylinder Cover .....	1
10.	22894AY	Screw .....	1
11.	50382FU	Hinge, for cylinder cover .....	1
12.	34382V	Pin, for hinge .....	1
13.	22541B	Screw, for hinge .....	2
14.	34382UA	Gasket, for hinge .....	1
*15.	29476TV	Throat Plate Support Assembly, for styles H01, H11, U03 .....	1
*16.	99364L	Shank Screw .....	1
17.	96277	Retaining Ring .....	1
18.	34380	Throat Plate Support, for styles H01, H11 .....	1
18A.	34780CA	Throat Plate Support, for styles K01 .....	1
18B.	34780CB	Throat Plate Support, for styles K02 .....	1
18C.	34380T	Throat Plate Support, for styles H21 .....	1
*19.	34367B	Safety Latch .....	1
*20.	95685	Screw .....	1
*21.	97014	Spring .....	1
22.	34367	Stop Bolt .....	1
23.	50393EU	Plug, for top .....	1
24.	50382GV	Plate Cover .....	1
25.	SS6090420SP	Screw, for plate cover .....	2
26.	J79J	Screw .....	2
27.	34381A	Support for Slide .....	1
28.	91	Screw, for support for slide .....	1
29.	34367A	Cover, for throat plate support .....	1
30.	90	Screw .....	2
31.	34381B	Rest for Slide .....	1
32.	79	Screw, for rest for slide .....	1
33.	605C	Screw, for material guide, for styles K01 .....	1
34.	34703CA	Material Guide, for styles K01 .....	1
35.	605D	Screw, for material guides, for styles K02 .....	1
36.	34703B	Material Guide, right, for styles K02 .....	1
37.	34703A	Material Guide, left, for styles K02 .....	1
38.	50396G	Splash Guard, for styles H21 .....	1
39.	69H	Washer, for splash guard, for styles H21 .....	1

**\*NOTE:** For the throat plate support numbers 18A., 18B., 18C., asteric items must be ordered seperately to make a complete throat plate support assembly.



COVERS  
FOR E11, E61

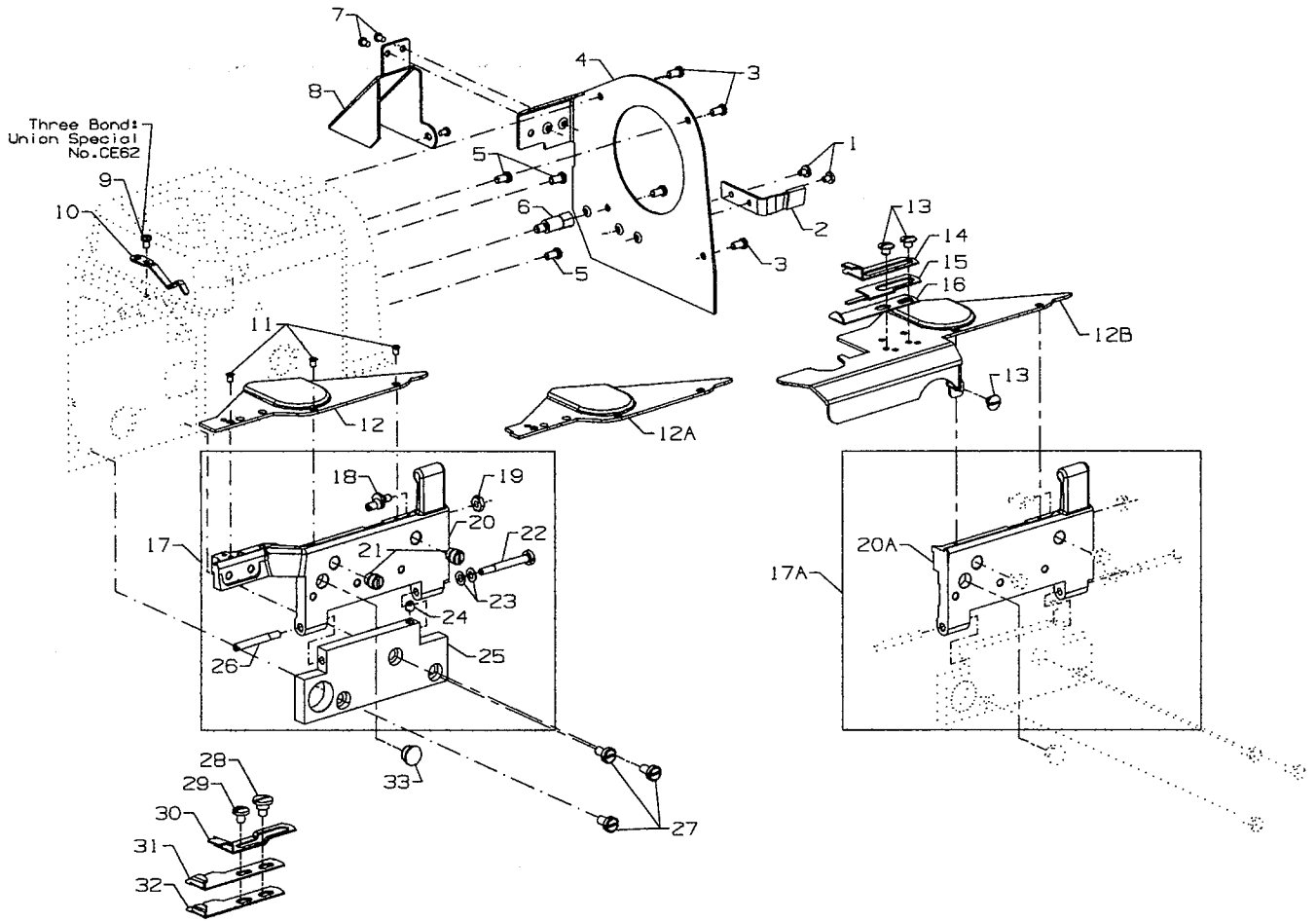
Ref. No.	Part No.	Description	Amt. Req.
1.	25S	Screw .....	2
2.	50389	Guide Roller Assembly, for E11 Style .....	1
3.	22561	Screw .....	8
4.	34786D	Guide Roller .....	2
5.	34786C	Bracket, right .....	2
6.	34786B	Bracket, left .....	2
7.	50389A	Mounting Bracket .....	1
8.	50302	Slide Cover .....	1
9.	29476UN	Throat Plate Support Assembly, for E11 Style .....	1
-	29476YY	Throat Plate Support Assembly, for E61 Style .....	1
10.	34367	Rest Bolt .....	1
11.	97014	Spring .....	1
12.	95685	Screw .....	1
13.	34367B	Safety Latch .....	1
14.	34780	Throat Plate Support, for E11 Style .....	1
14A.	34780M	Throat Plate Support, for E61 Style .....	1
15.	96277	"E" Ring .....	1
16.	99364L	Shank Screw .....	1
17.	50381L	Rest For Slide .....	1
18.	69H	Washer .....	1
19.	50396G	Splash Guard .....	1
20.	22562B	Screw .....	1
21.	99697J	Latch Spring .....	1
22.	22746	Screw, for handle .....	1
23.	2165D-0.2	Washer .....	1
24.	50384F	Gasket .....	1
25.	34382W	Handle .....	1
26.	C50063N	Washer .....	1
27.	50382HU	Cylinder Cover .....	1
28.	22894AY	Set Screw .....	1
29.	50382JA	Hinge, for cylinder cover .....	1
30.	34382V	Pin, for hinge .....	1
31.	34382UA	Gasket, for hinge .....	1
32.	22541B	Screw, for hinge .....	2
33.	376	Screw .....	2
34.	34778GD	Suction Tube Assembly .....	1
35.	90	Screw .....	2
36.	80265	Washer .....	1
37.	34778GF	Bracket .....	1
38.	G50-748D	Cover .....	1
39.	99675QA-400	Spiral Hose .....	1
40.	671C23	Hose Clamp .....	1
41.	50301BW	Cloth Plate, front .....	1
42.	50364X	Swing Out Cloth Plate Support .....	1
43.	99301A	Screw .....	1
44.	9937	Nut .....	1
45.	50364Y	Folder Support .....	1
46.	99356	Stop Screw .....	2
47.	99350	Screw .....	1
48.	97127	Cup Spring .....	2
49.	95	Screw .....	1
50.	99351	Screw .....	1
51.	50364S	Hinge Plate .....	1
52.	99392	Screw .....	1
53.	660-212	Oil Ring .....	1
54.	29480ARN	Treadle Assembly .....	1
55.	29480ASU	Filter Regulator Gauge Kit .....	1





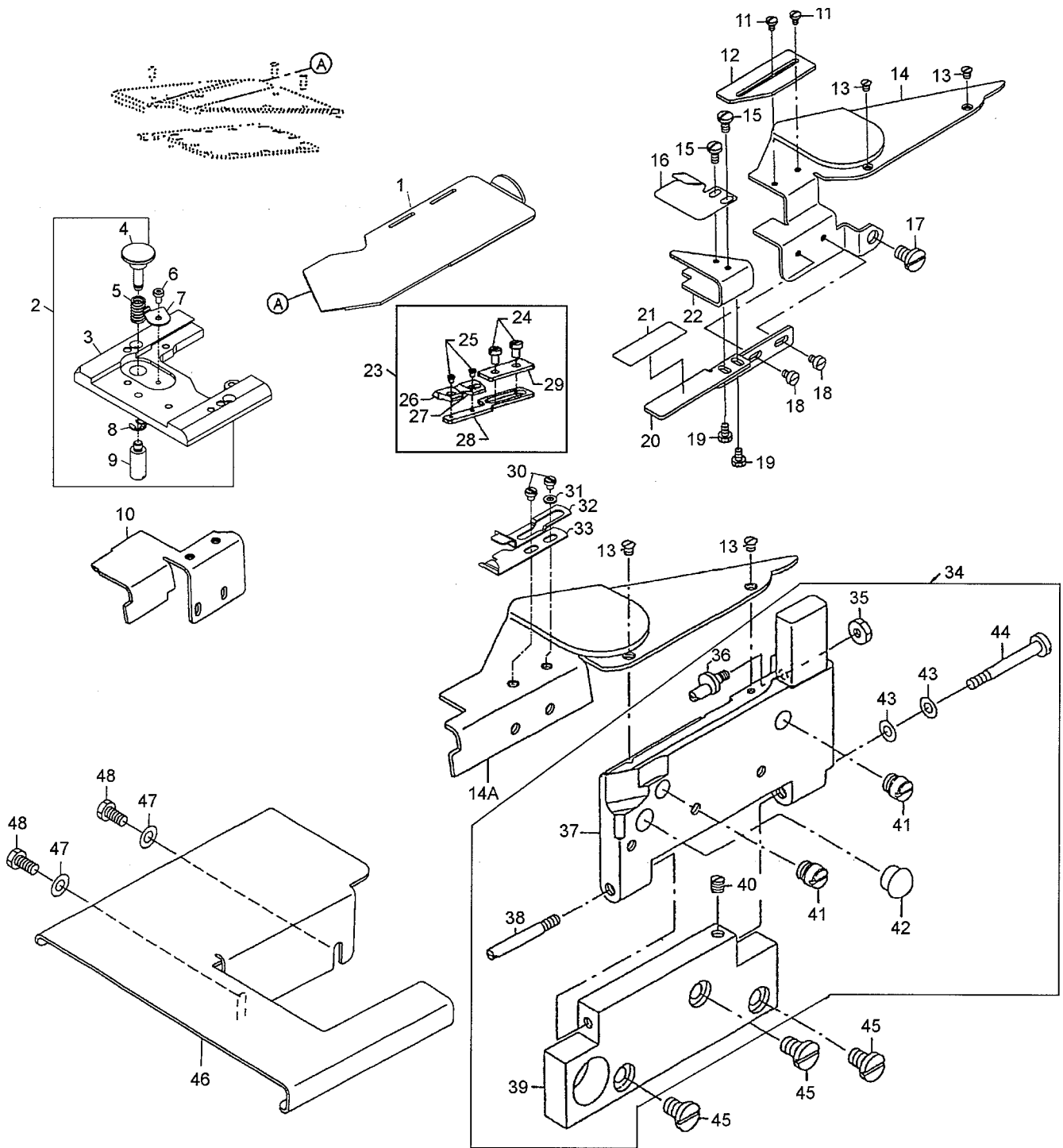
COVERS LOWER BED- MIDDLE

Ref. No.	Part No.	Description	Amt. Req.
1.	SS4120615SP	Screw .....	4
2.	35082E	Plate .....	1
3.	35082F	Gasket .....	1
4.	34382EA	Gasket, for oil reservoir cover .....	1
5.	34382J	Oil Reservoir Cover .....	1
6.	87	Screw, for oil reservoir cover .....	12
7.	22548	Screw, for chamber cover .....	4
8.	56382D	Chamber Cover .....	1
9.	34782C	Chamber Cover Gasket .....	1
10.	50301CP	Cloth Plate Assembly .....	1
11.	22569AH	Screw, for cloth plate .....	3
12.	50382HX	Slide Cover, for styles H01, K01 K02 .....	1
12A.	50302D	Slide Cover, for styles H11 .....	1
12B.	50302A	Slide Cover, for styles H21 .....	1



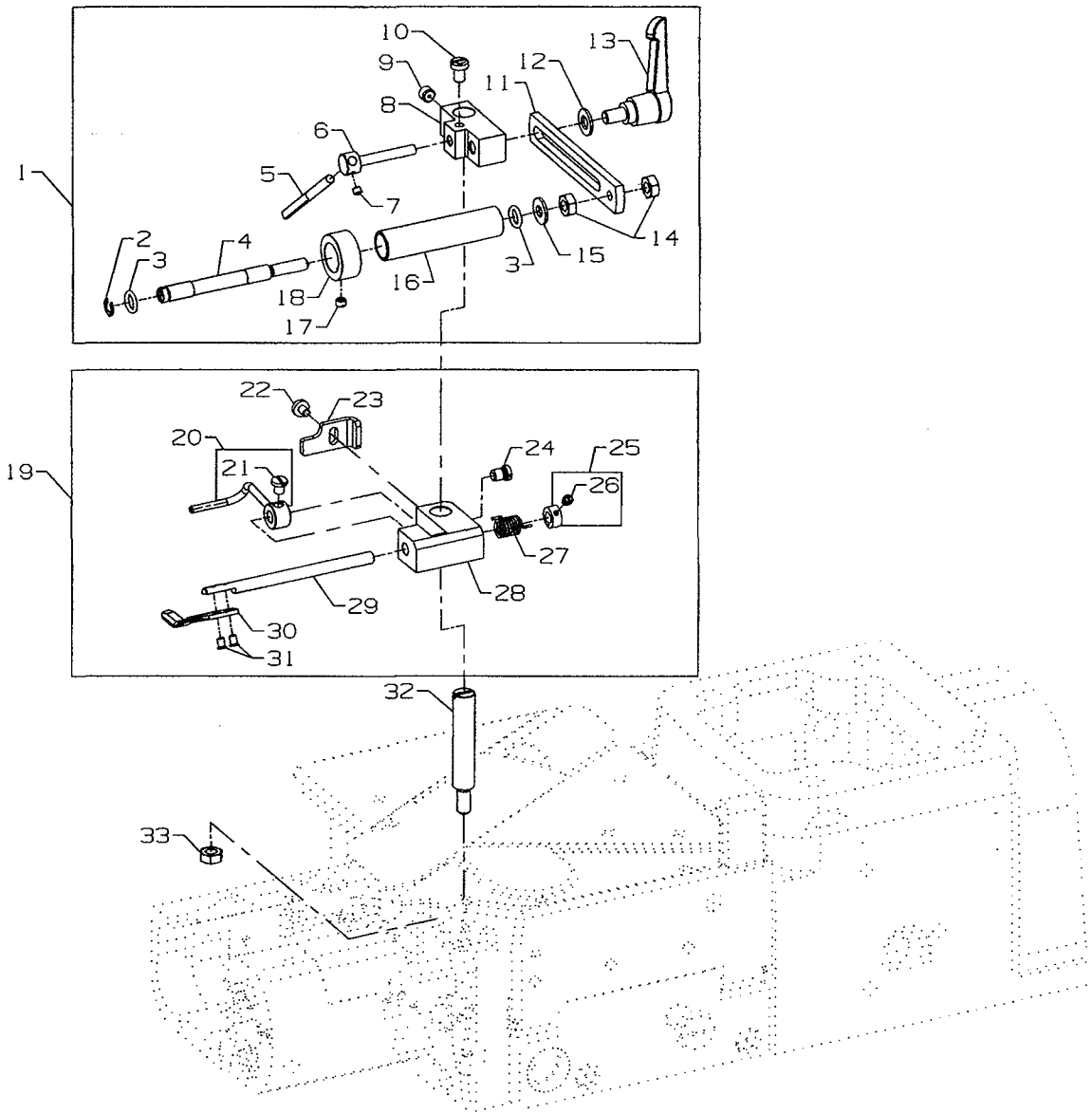
COVERS LOWER BED - REAR  
FOR H01, H11, K01, K02, U03

Ref. No.	Part No.	Description	Amt. Req.
1.	22585C	Screw .....	2
2.	34767K	Synchronizer Stop .....	1
3.	22569C	Screw .....	4
4.	50395J	Belt Guard .....	1
5.	22757E	Screw .....	3
6.	50395U	Spacer Stud .....	1
7.	SS4090515SP	Screw .....	3
8.	50382GR	Belt Guard .....	1
9.	SM4040655SP	Screw .....	1
10.	43281K	Latch Spring .....	1
11.	22766	Screw .....	3
12.	50301BK	Cloth Plate .....	1
12A.	50364VB	Cloth Plate, for styles H11 .....	1
12B.	50301BX	Cloth Plate, for styles H21 .....	1
13.	22730	Screw, for cloth plate for styles H21 .....	3
14.	34703ZA	Folder Upper, for styles H21 .....	1
15.	34703Z	Folder, for styles H21 .....	1
16.	34703ZB	Folder L, for styles H21 .....	1
17.	29476SA	Swing-Out Cloth Plate Support, for styles H01, H11, K01, .....	1
17A.	29476TA	Swing-Out Cloth Plate Support, for styles H21 .....	1
18.	99301A	Eccentric Screw .....	1
19.	9937	Nut .....	1
20.	50364R	Cloth Plate Support, for styles H01, H11, K01, K02, .....	1
20A.	50364Z	Cloth Plate Support, for styles H21 .....	1
21.	99356	Stop Screw .....	2
22.	99350	Shoulder Screw .....	1
23.	97127	Spring Washer .....	2
24.	95	Set Screw .....	1
25.	50364S	Hinge Plate .....	1
26.	99351	Screw .....	1
27.	22548	Screw .....	3
28.	22715A	Screw, for H01 .....	1
29.	25S	Screw, for H01 .....	1
30.	34703F3	Hemmer, upper, for styles H01 .....	1
31.	34703F1	Hemmer, lower, for styles H01 .....	1
32.	34703FA1	Hemmer, lower, for styles H01 .....	1
33.	TA1100604R0	Plug .....	1



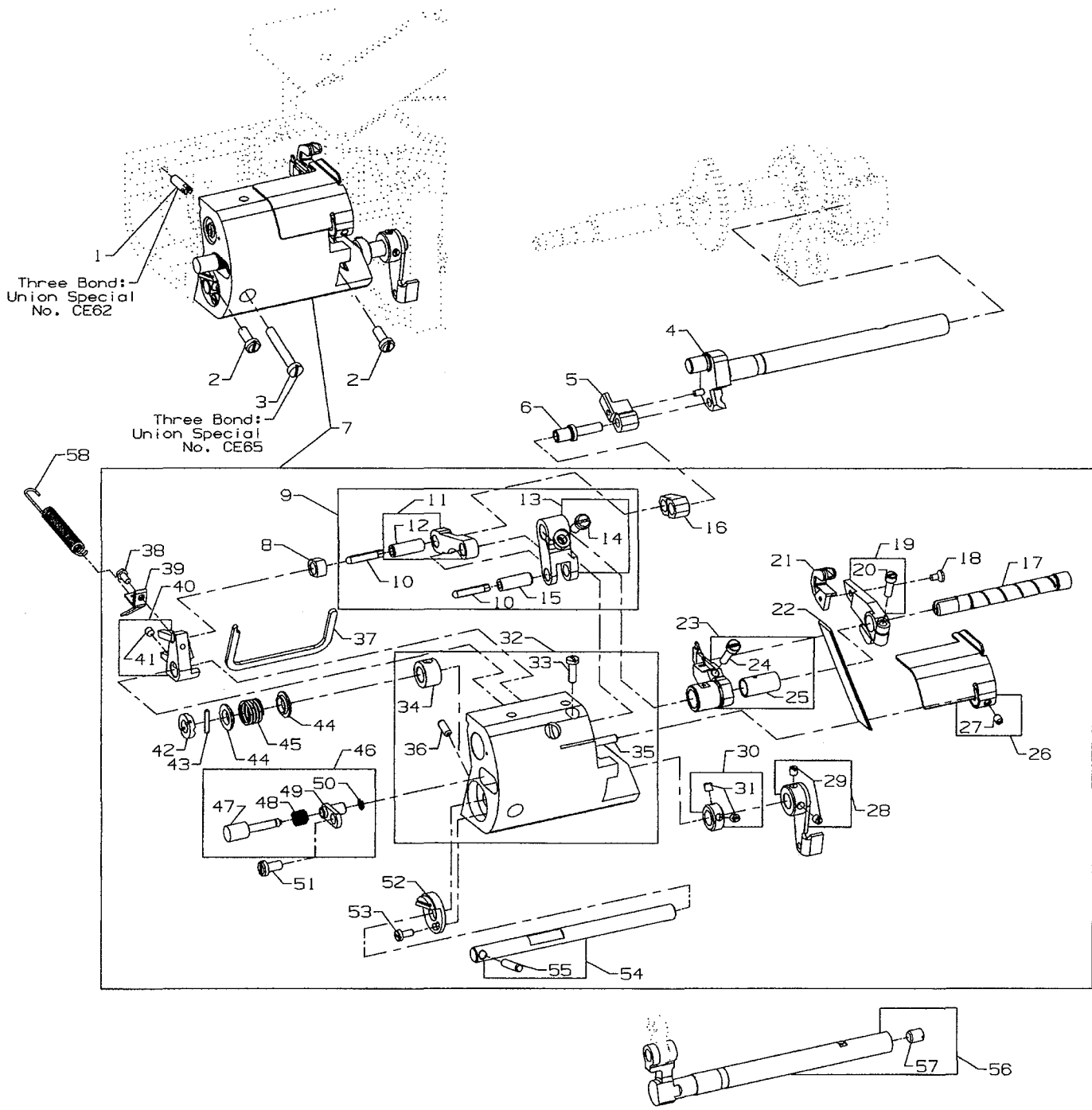
COVERS  
FOR C02, U06

Ref. No.	Part No.	Description	Amt. Req.
1.	50302F	Slide Cover .....	1
2.	29476VR	Throat Plate Support Assembly .....	1
3.	34380E	Throat Plate Support .....	1
4.	34367	Rest Bolt .....	1
5.	97014	Spring .....	1
6.	95685	Screw .....	1
7.	34367B	Safety Latch .....	1
8.	96277	Retaining Ring .....	1
9.	99364L	Shank Screw .....	1
10.	50364AD	Support Cover, for C02 .....	1
11.	77L	Screw, for C02 .....	2
12.	34764DA	Cloth Plate Extension, for C02 .....	1
13.	22766	Screw .....	2
14.	50301CV	Cloth Plate, Front, for C02 .....	1
14A.	50301CW	Cloth Plate, Front, for U06 .....	1
15.	77F	Screw, for C02 .....	2
16.	34703X	Fabric Edge Guide, for C02 .....	1
17.	22730	Screw, for C02 .....	1
18.	SS6090540SP	Screw, for C02 .....	2
19.	SS9090640SP	Screw, for C02 .....	2
20.	50383AX	Bracket, for C02 .....	1
21.	660-1108	Rubber Seat, for C02 .....	1
22.	50383AY	Edge Guide Fitting Plate, for C02 .....	1
23.	29480BCV	Guide Parts Kit .....	1
24.	SM6050810SC	Screw for U06 .....	2
25.	SS4080310SP	Screw for U06 .....	2
26.	50337AT	Guide, Left, for U06 .....	1
27.	50337AU	Guide, Right, for U06 .....	1
28.	50337AF	Guide Plate, for U06 .....	1
29.	50383BW	Guide Plate, for U06 .....	1
30.	95169	Screw, for U06 .....	2
31.	8372A	Washer, for U06 .....	1
32.	34703F3	Upper Hemmer, for U06 .....	1
33.	34703FA1	Folder, Lower, for U06 .....	1
34.	29476VS	Swing Out Cloth Plate Assembly .....	1
35.	9937	Nut .....	1
36.	99301A	Screw .....	1
37.	50382JV	Front Cover .....	1
38.	99351	Screw .....	1
39.	50364S	Hinge Plate .....	1
40.	95	Screw .....	1
41.	99356	Screw .....	2
42.	TA1100604R0	Plug .....	1
43.	97127	Spring Washer .....	2
44.	99350	Screw .....	1
45.	22548	Screw .....	3
46.	50301CU	Cloth Plate, Left, for C02 .....	1
47.	WP0651001SC	Washer, for C02 .....	2
48.	25S	Screw, for C02 .....	2



TAPE GUIDE, HOLD DOWN DEVICE  
FOR E11, E61

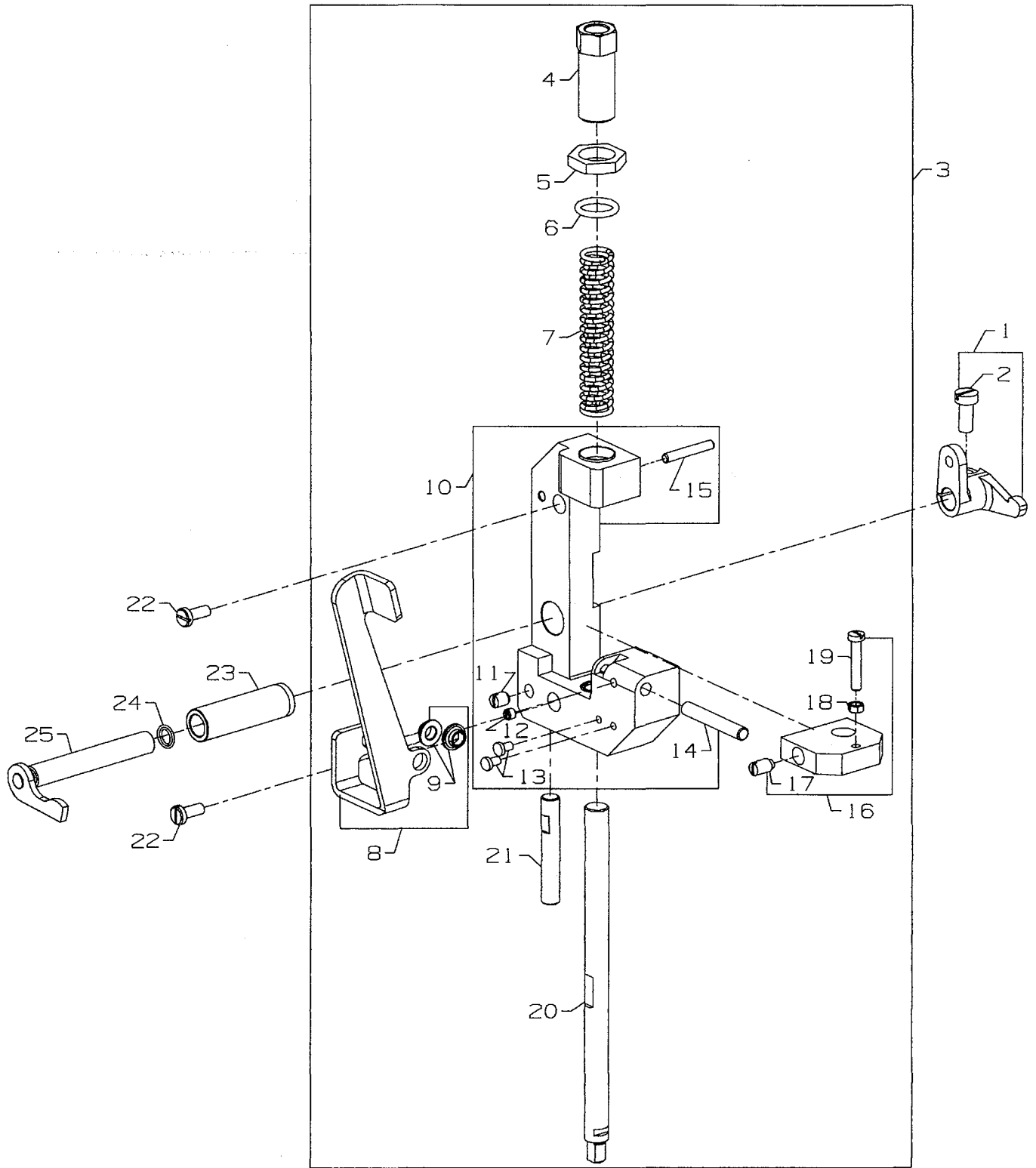
Ref. No.	Part No.	Description	Amt. Req.
1.	34786G	Tape Guide Assembly .....	1
2.	96275	Retaining Ring .....	1
3.	999-30	"O" Ring .....	2
4.	34786GE	Shaft .....	1
5.	34786GA	Tape Guide .....	1
6.	34786GB	Support .....	1
7.	22894AY	Screw .....	1
8.	34783N	Support .....	1
9.	22894X	Screw .....	1
10.	93A	Screw .....	1
11.	34786GC	Bracket .....	1
12.	95951	Washer .....	1
13.	999-90B	Clamping Lever .....	1
14.	18	Nut .....	2
15.	21657E	Washer .....	1
16.	34786GG	Roller .....	1
17.	88B	Screw .....	1
18.	34786GF	Collar .....	1
19.	34731	Hold Down Device Assembly .....	1
20.	34731D	Lever .....	1
21.	22570B	Screw .....	1
22.	22585C	Screw .....	1
23.	34731C	Stop .....	1
24.	22836	Screw .....	1
25.	39531B	Collar .....	1
26.	604	Screw .....	1
27.	97113	Torsion Spring .....	1
28.	34731B	Material Hold Down Guide .....	1
29.	39531A	Shaft .....	1
30.	50337BE	Support .....	1
31.	77K	Screw .....	2
32.	99391	Spacer Stud .....	1
33.	18	Nut .....	1





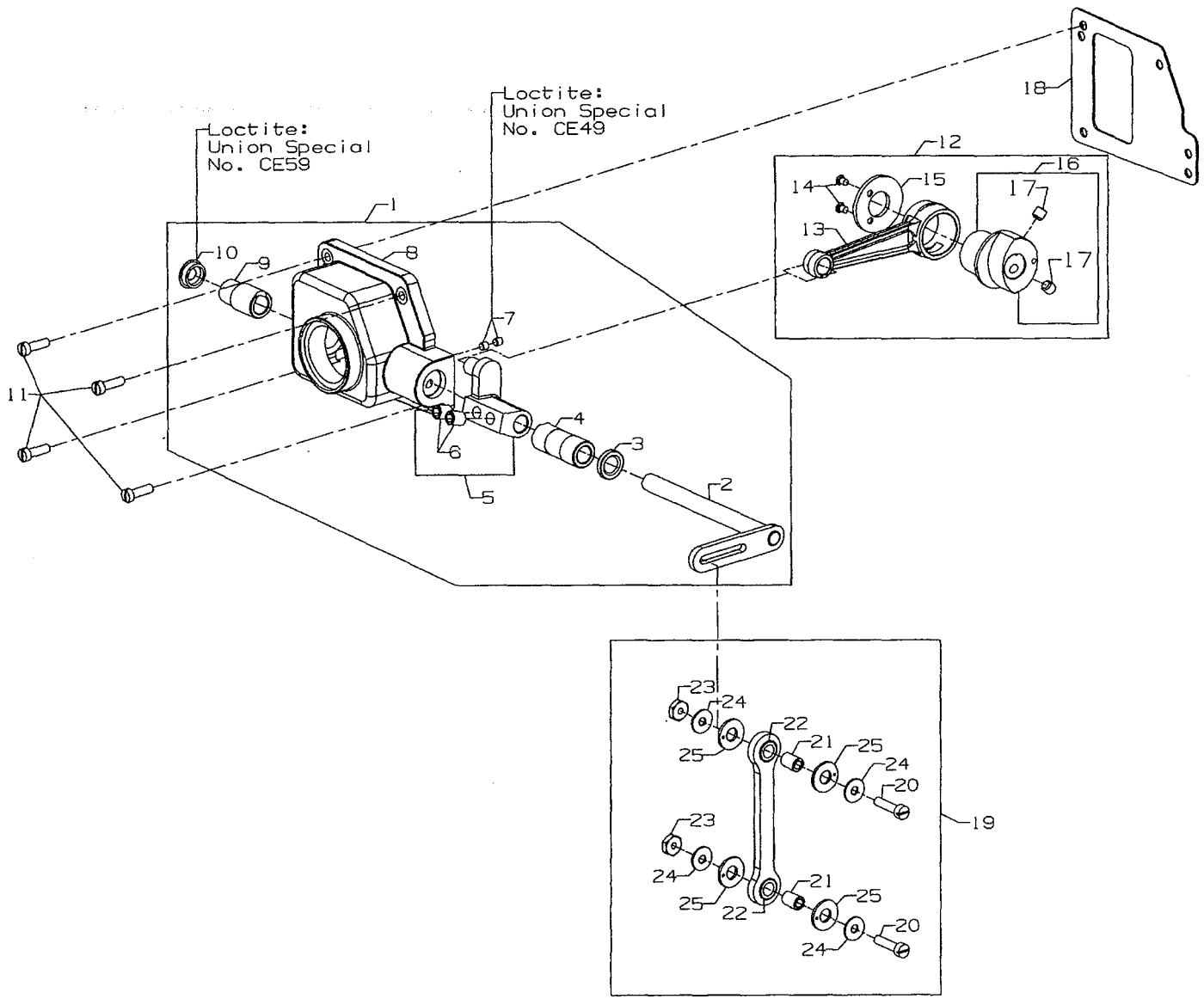
RIGHT HAND FABRIC TRIMMER ASSEMBLY  
FOR E11, E61

Ref. No.	Part No.	Description	Amt. Req.
1.	G51347A	Screw .....	1
2.	93	Screw .....	2
3.	22874F	Screw .....	1
4.	50322BH	Shaft .....	1
5.	34738A	Spacer .....	1
6.	99370	Screw .....	1
7.	29924M	Under Trimmer Assembly .....	1
8.	34771G	Slide Block .....	1
9.	34771A	Lever Assembly .....	1
10.	666-149	Wick .....	2
11.	34771B	Connecting Rod .....	1
12.	G51054	Joint Pin .....	1
13.	34771AA	Lever .....	1
14.	93	Screw .....	1
15.	G51054	Joint Pin .....	1
16.	34771K	Connection .....	1
17.	34785	Shaft .....	1
18.	22894BG	Screw .....	1
19.	34771PA	Upper Knife Lever .....	1
20.	22729	Screw .....	1
21.	34770H	Upper Knife .....	1
22.	34749B	Lower Knife .....	1
23.	34750EA	Knife Holder .....	1
24.	22729AB	Screw .....	1
25.	34750A	Bushing .....	1
26.	34779	Edge Guide .....	1
27.	22565C	Screw .....	1
28.	34771L	Lever .....	1
29.	88	Screw .....	2
30.	12865	Collar .....	1
31.	88	Screw .....	2
32.	34739N	Housing .....	1
33.	22585R	Screw .....	1
34.	34739A	Bushing .....	1
35.	96529	Pin .....	1
36.	51280J	Pin .....	2
37.	1266001	Gasket .....	1
38.	77L	Screw .....	1
39.	34771J	Stop .....	1
40.	34771D	Lever .....	1
41.	89	Screw .....	1
42.	99369	Nut .....	1
43.	96530	Pin .....	1
44.	34771E	Spring Washer .....	2
45.	97016	Spring .....	1
46.	34763B	Locking Plate Assembly .....	1
47.	34763C	Bolt .....	1
48.	97015	Spring .....	1
49.	34763BA	Locking Plate .....	1
50.	660-210	Retaining Ring .....	1
51.	22528	Screw .....	1
52.	34771H	Stop .....	1
53.	J87J	Screw .....	1
54.	34771C	Shaft .....	1
55.	34771F	Pin .....	1
56.	34734	Shaft, for feed drive .....	1
57.	CO67B	Cork Plug .....	2
58.	96722	Spring .....	1



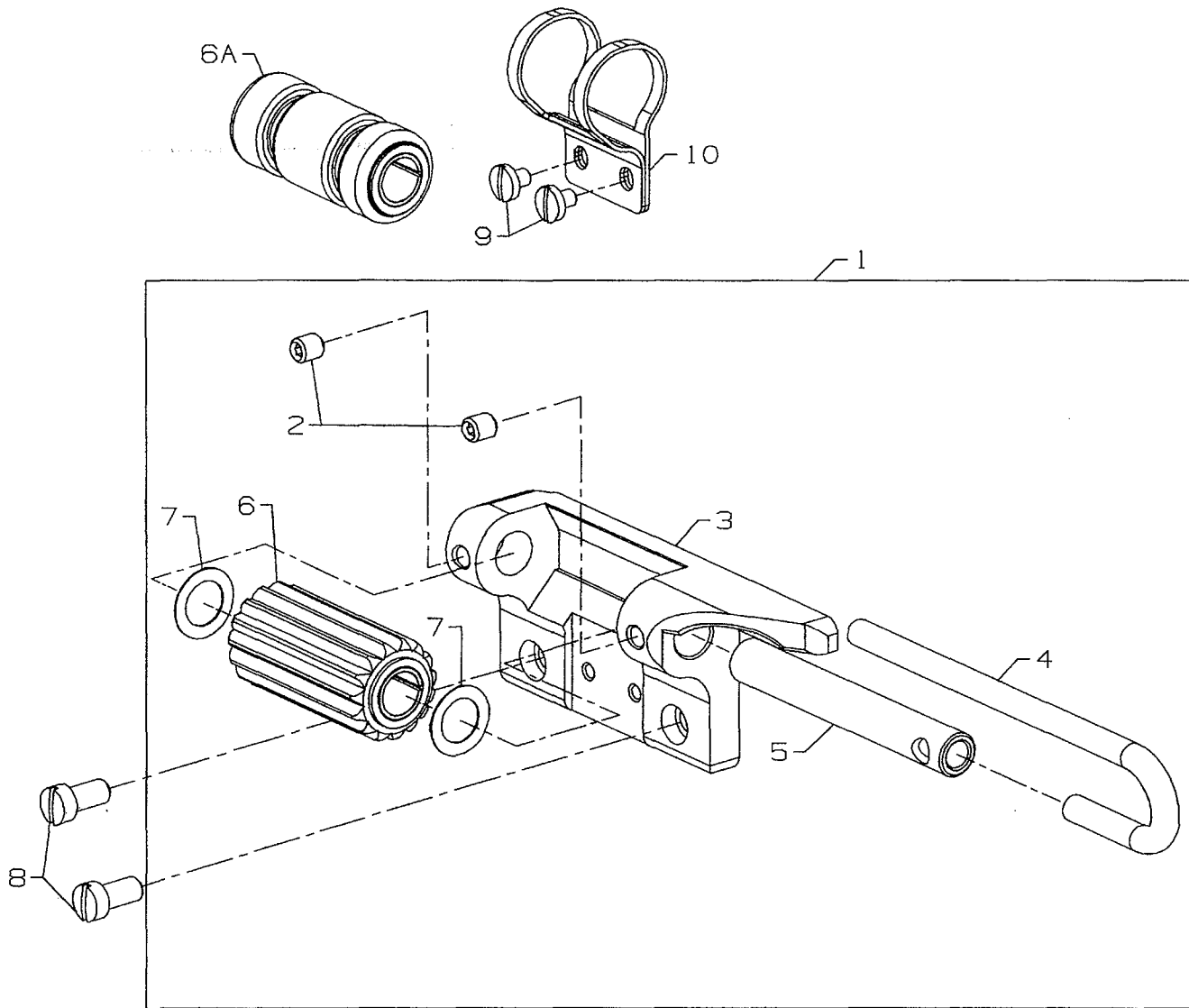
PULLER LIFTER ASSEMBLY  
FOR E61, H11

Ref. No.	Part No.	Description	Amt. Req.
1.	50377VA	Lever, lifter front .....	1
2.	SS6151440SP	Screw .....	1
3.	29476UX	Puller Lifter Assembly .....	1
4.	59477	Regulator .....	1
5.	35733G	Nut .....	1
6.	660-212	"O" Ring .....	1
7.	50377L	Spring .....	1
8.	50377C	Lever, lifter .....	1
9.	50344AT	Bushing .....	2
10.	50377D	Bracket, for roller lifter .....	1
11.	SS8150710SP	Set Screw .....	1
12.	SS8120410SP	Set Screw .....	1
13.	50337AM	Bumper .....	1
14.	50377AF	Pin .....	1
15.	96529	Pin .....	1
16.	50377M	Lifter .....	1
17.	SS8151150SP	Screw .....	1
18.	NS6110310SP	Nut .....	1
19.	SS7112420SP	Screw .....	1
20.	50377AM	Bar, roller presser .....	1
21.	50377AR	Guide Pin .....	1
22.	SS6121220TP	Screw .....	2
23.	50377T	Bushing, lifter link .....	1
24.	RO068190100	"O" Ring .....	1
25.	50377G	Lever, puller lifter .....	1



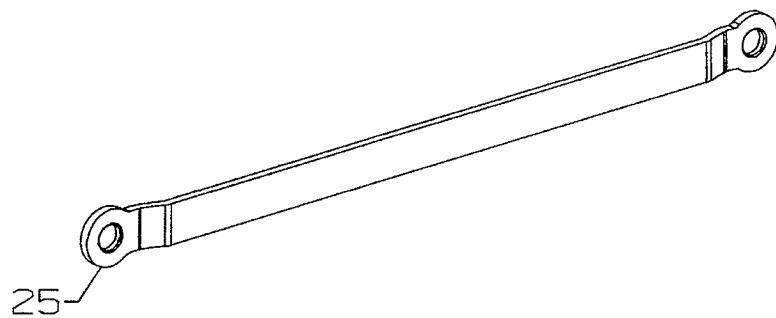
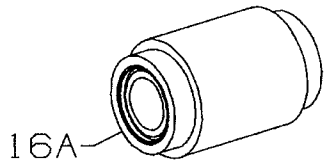
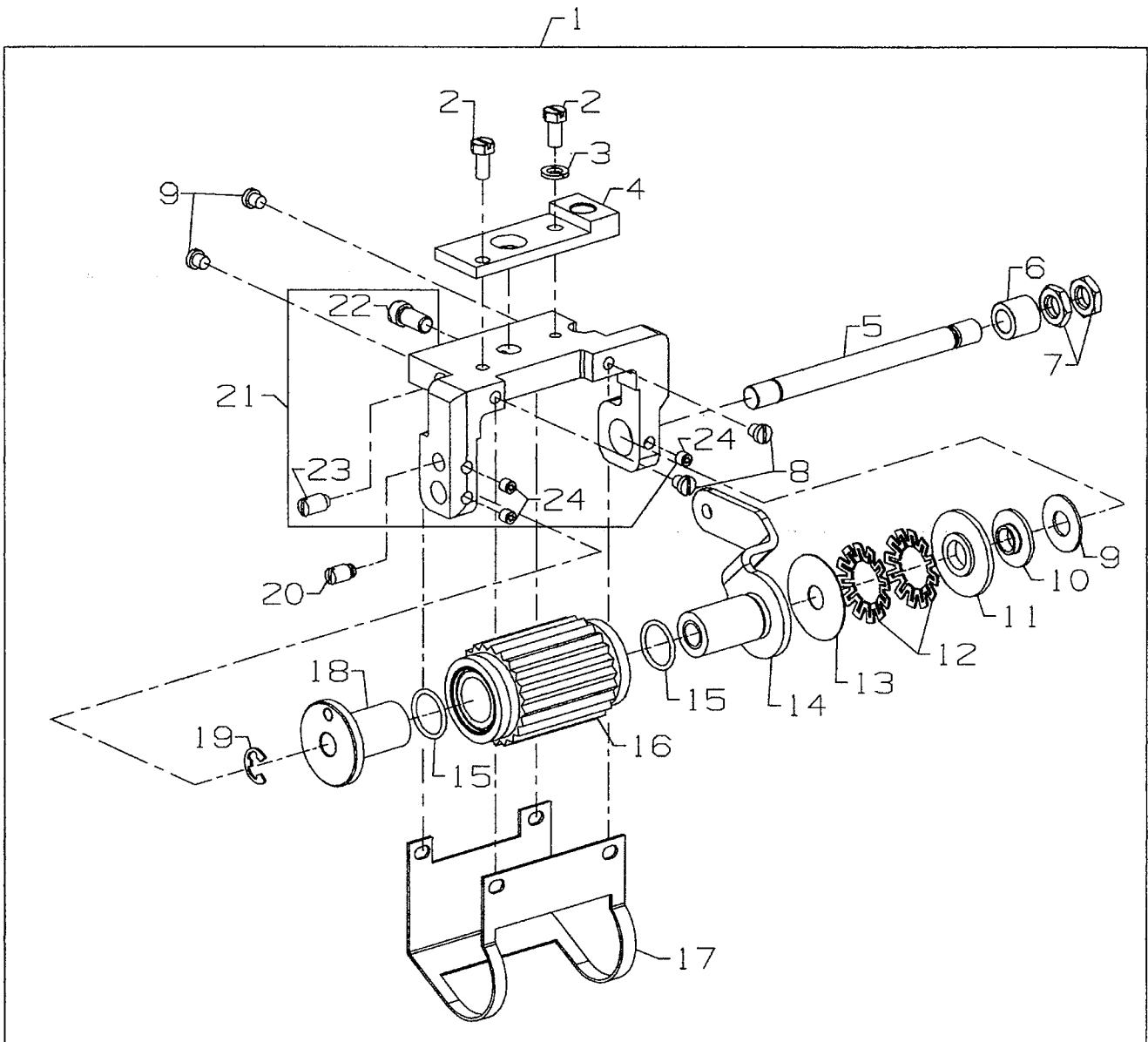
PULLER DRIVE ASSEMBLY  
FOR E61, H11

Ref. No.	Part No.	Description	Amt. Req.
1.	29476SP	Puller Drive Assembly .....	1
2.	50377F	Roller Driving Arm .....	1
3.	660-893	Seal .....	1
4.	50377S	Bushing .....	1
5.	50377E	Lever, Puller Drive .....	1
6.	SS8701042TP	Screw .....	2
7.	SS8110422TP	Set Screw .....	2
8.	50377U	Housing, Puller Drive .....	1
9.	50377P	Bushing .....	1
10.	TA1450404R0	Rubber Plug .....	1
11.	SS7121610SP	Screw .....	4
12.	50377Z	Connecting Rod Eccentric Assembly .....	1
13.	50377AA	Connecting Rod .....	1
14.	SS2090620SP	Screw .....	2
15.	50386	Washer .....	1
16.	50377AB	Eccentric .....	1
17.	SS8660612TP	Screw .....	2
18.	50384L	Gasket .....	1
19.	50377J	Roller Drive Link Assembly .....	1
20.	SS6122030SP	Screw .....	2
21.	50344AP	Bushing, link .....	2
22.	660-303	Bearing .....	2
23.	NS6120480SP	Nut .....	2
24.	WP0501046SC	Washer .....	4
25.	660-1089	Thrust Washer .....	4



LOWER ROLLER ASSEMBLY  
FOR E61,H11

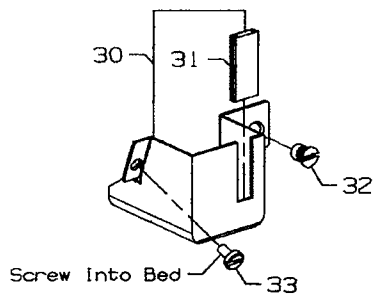
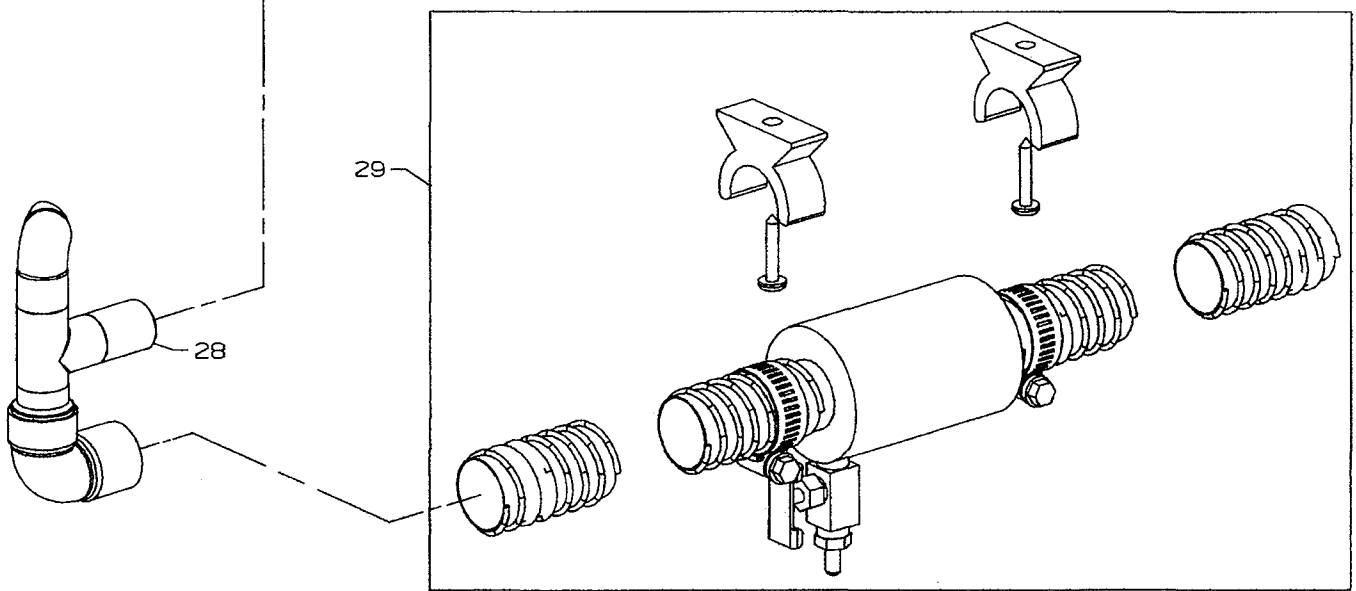
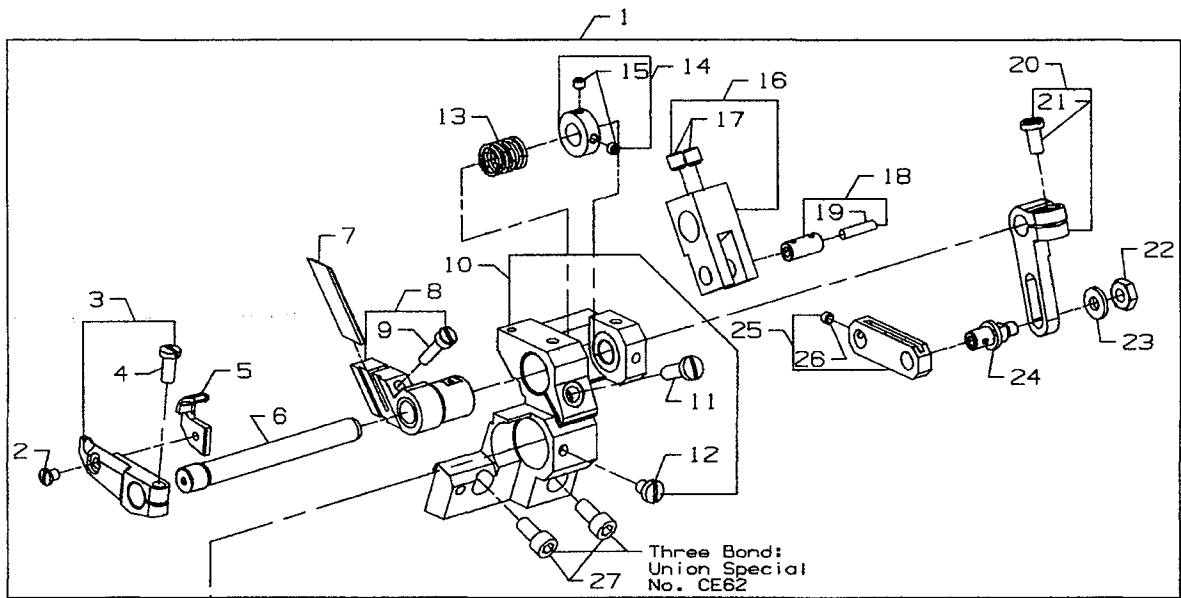
Ref. No.	Part No.	Description	Amt. Req.
1.	29476XU	Lower Roller Assembly, for E61/PL1, H11/PL1 .....	1
-	29476SW	Lower Roller Assembly, for E61/PL1S, H11/PL1S .....	1
2.	22894AD	Set Screw .....	2
3.	34380B	Bracket (Standard) Cylinder .....	1
4.	34767	Guard .....	1
5.	34776B	Shaft .....	1
6.	50377AT	Lower Roller, for E61/PL1, H11/PL1 .....	1
6A.	34776F	Lower Roller (Smooth), for E61/PL1S, H11/PL1S .....	1
7.	50386E	Washer, plastic .....	2
8.	22517	Screw, for lower roller assembly .....	2
9.	22585C	Screw .....	2
10.	34380C	Roller Guard, for E61/PL1S, H11/PL1S .....	1





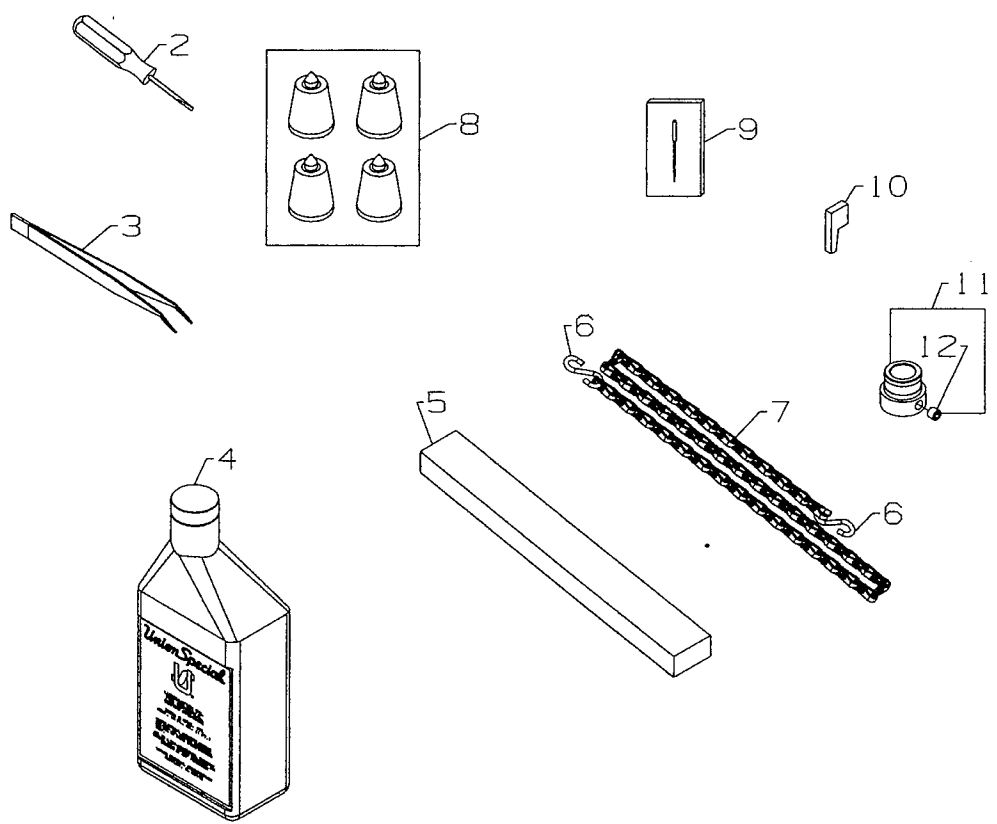
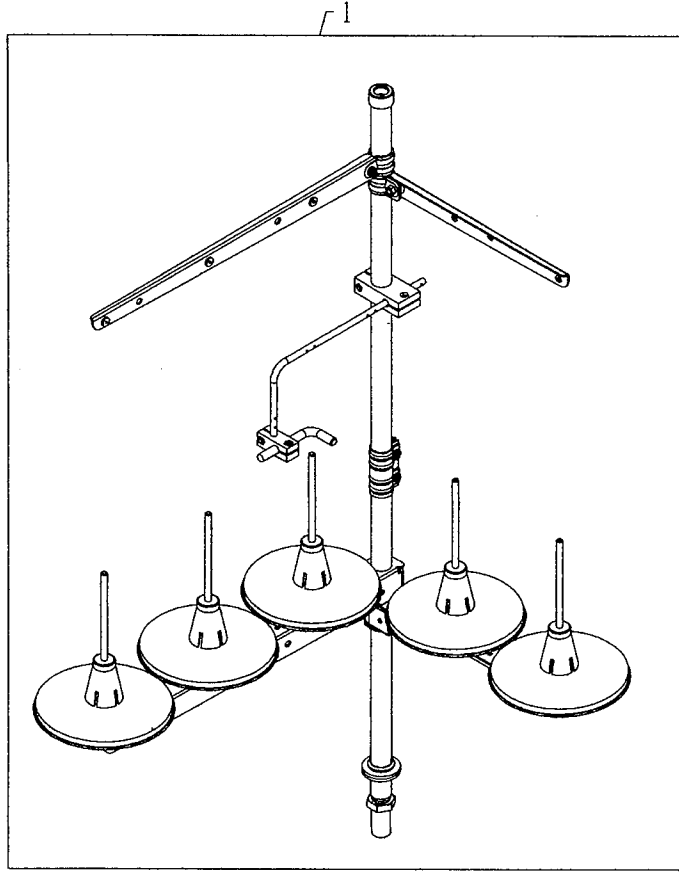
UPPER ROLLER ASSEMBLY  
FOR E61, H11

Ref. No.	Part No.	Description	Amt. Req.
1.	29476UV	Upper Roller Assembly, for E61/PL1, H11/PL1 .....	1
-	29476SS	Upper Roller Assembly, for E61/PL1S, H11/PL1S .....	1
2.	SS9111010SP	Hex Screw .....	2
3.	WS0510002KP	Lock Washer .....	1
4.	50378AD	Guide Plate .....	1
5.	34774	Shaft .....	1
6.	34778A	Bushing .....	1
7.	11638M	Stud Nut .....	2
8.	SS7110410SP	Screw .....	4
9.	C50077K	Washer .....	1
10.	34778C	Bushing .....	1
11.	50377AE	Disc .....	1
12.	661-261	Cup Spring .....	2
13.	50386B	Washer .....	1
14.	50377H	Lever Assembly .....	1
15.	661-149	"O" Ring .....	2
16.	50375Y	Roller Assembly, for E61/PL1, H11/PL1 .....	1
16A.	50375V	Roller Assembly (Smooth), for E61/PL1S, H11/PL1S .....	1
17.	50377AC	Roller Guard .....	1
18.	50377AD	Bushing .....	1
19.	96278	"E" Ring .....	1
20.	22892C	Shoulder Screw .....	1
21.	50377AK	Feed Roller Yoke Assembly .....	1
22.	SS6151220SP	Hex Screw .....	1
23.	SS8151150SP	Screw .....	1
24.	SS8110422TP	Set Screw .....	3
25.	50355AS	Wire Connector .....	1



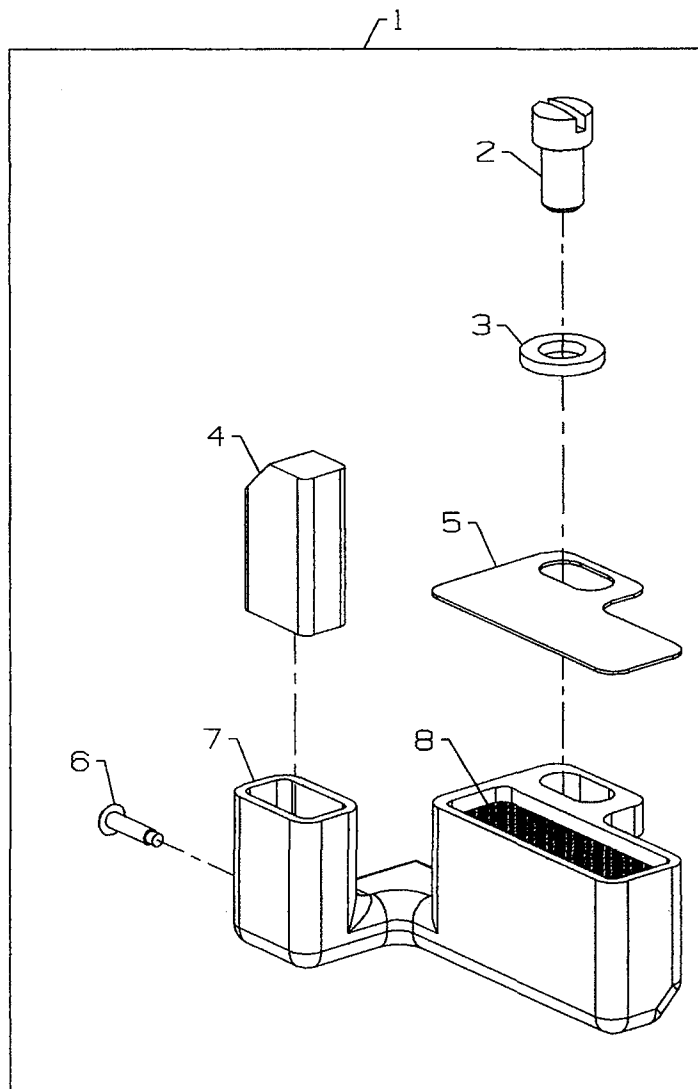
LEFT HAND FABRIC TRIMMER ASSEMBLY  
FOR H21

Ref. No.	Part No.	Description	Amt. Req.
1.	29924LA	Fabric Trimmer Assembly .....	1
2.	SS7090530SP	Screw .....	1
3.	50372A	Knife Lever .....	1
4.	SS7111120TP	Screw .....	1
5.	50370J	Upper Knife .....	1
6.	34785L	Shaft .....	1
7.	34749EL	Lower Knife .....	1
8.	50372B	Lower Knife Holder .....	1
9.	22729ABA	Screw .....	1
10.	34739L	Support Block .....	1
11.	22596	Screw .....	1
12.	25CC	Screw .....	1
13.	97005D	Spring .....	1
14.	33688	Adjusting Collar .....	1
15.	22894AY	Screw .....	2
16.	34771SL	Lever .....	1
17.	22894C	Screw .....	2
18.	34336P	Link Pin .....	1
19.	666-149	Oil Wick .....	1
20.	34771VL	Lever .....	1
21.	22528	Screw .....	1
22.	9937	Hex Nut .....	1
23.	4611U	Washer .....	1
24.	34771UL	Adjusting Bolt .....	1
25.	34771TL	Connecting Link .....	1
26.	22894Y	Set.Screw .....	1
27.	95412	Screw .....	2
28.	671B115	Suction Tube .....	1
29.	29480AWK	Exhaust Assembly .....	1
30.	50396L	Guard .....	1
31.	50382JU	Sliding Cover, For Guard .....	1
32.	22807	Screw .....	1
33.	98A	Screw .....	1



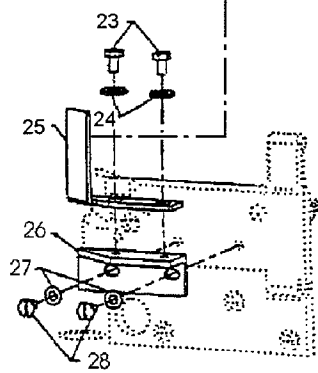
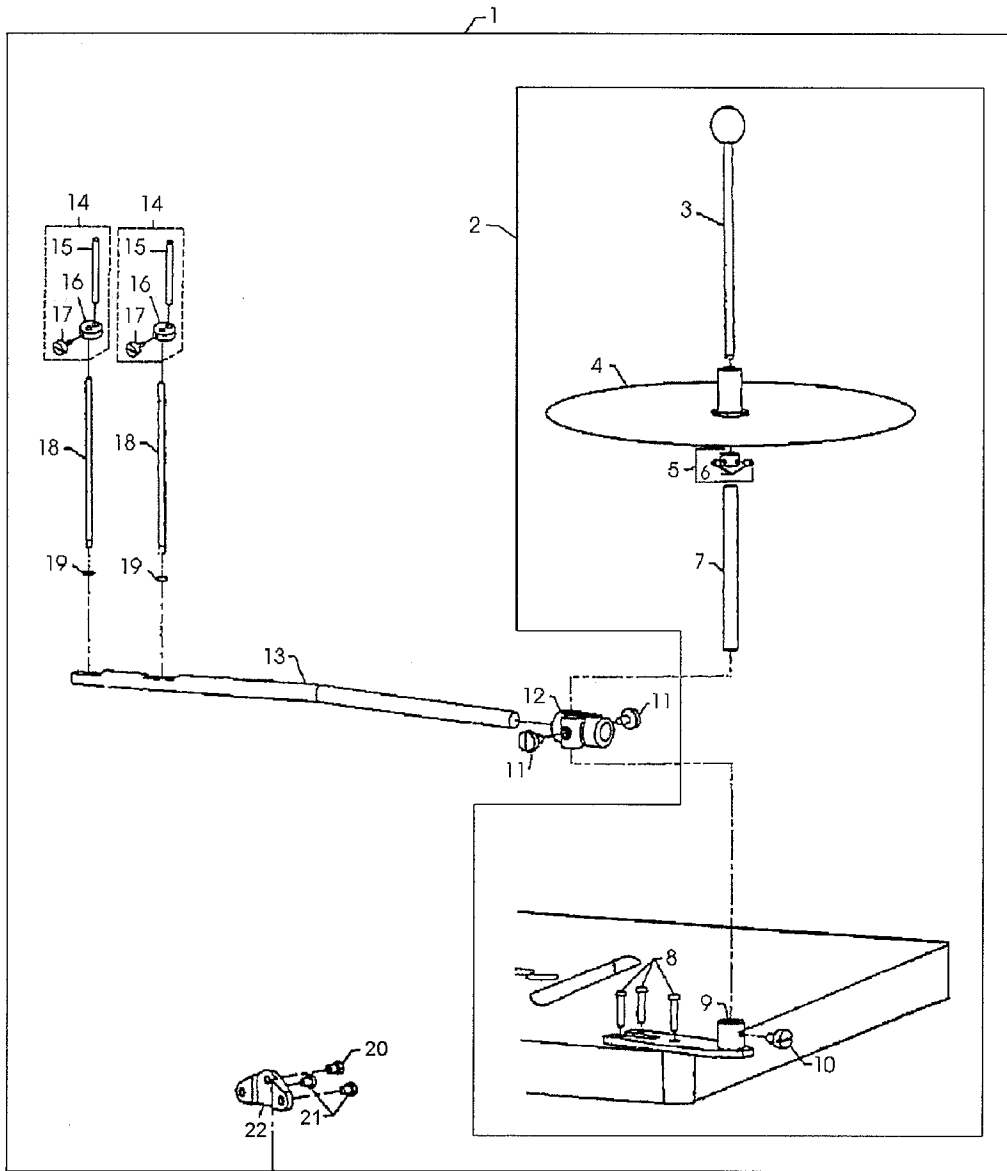
## ACCESSORIES

Ref. No.	Part No.	Description	Amt. Req.
1.	11969557	Thread Stand (5 cones) .....	1
2.	G21201	Screwdriver, for needle head .....	1
3.	12288403	Thread Tweezer .....	1
4.	28604R	Oil (1 pint) .....	1
5.	34395	Profile Rubber .....	1
6.	660-264	"S" Hook .....	2
7.	421D42	Chain .....	1
8.	51295B	Isolator .....	4
9.	128GBS075/029	Needles .....	1
10.	B9214850000	Felt, for 50363CK .....	1
11.	34321CC	Flange Synchronizer .....	1
12.	95205	Screw .....	1



NEEDLE DIPPER (EXTRA SEND CHARGE)

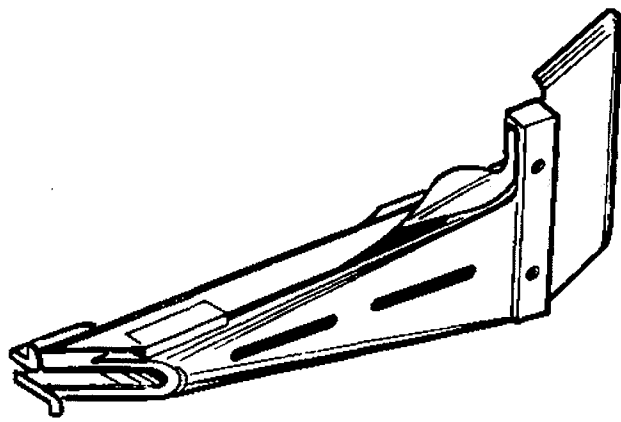
Ref. No.	Part No.	Description	Amt. Req.
1.	29480AZV	Needle Dipper Assembly .....	1
2.	22562B	Screw, for needle dipper .....	1
3.	80265	Washer .....	1
4.	50393GW	Felt .....	1
5.	50382KD	Needle Dipper Cover .....	1
6.	666-197	Pin, for oil wick .....	1
7.	50393KZ	Needle Dipper .....	1
8.	CQ200000000	Oil Wick .....	1





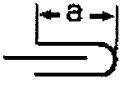
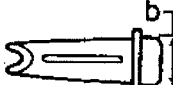


ACCESSORIES  
FOR C02

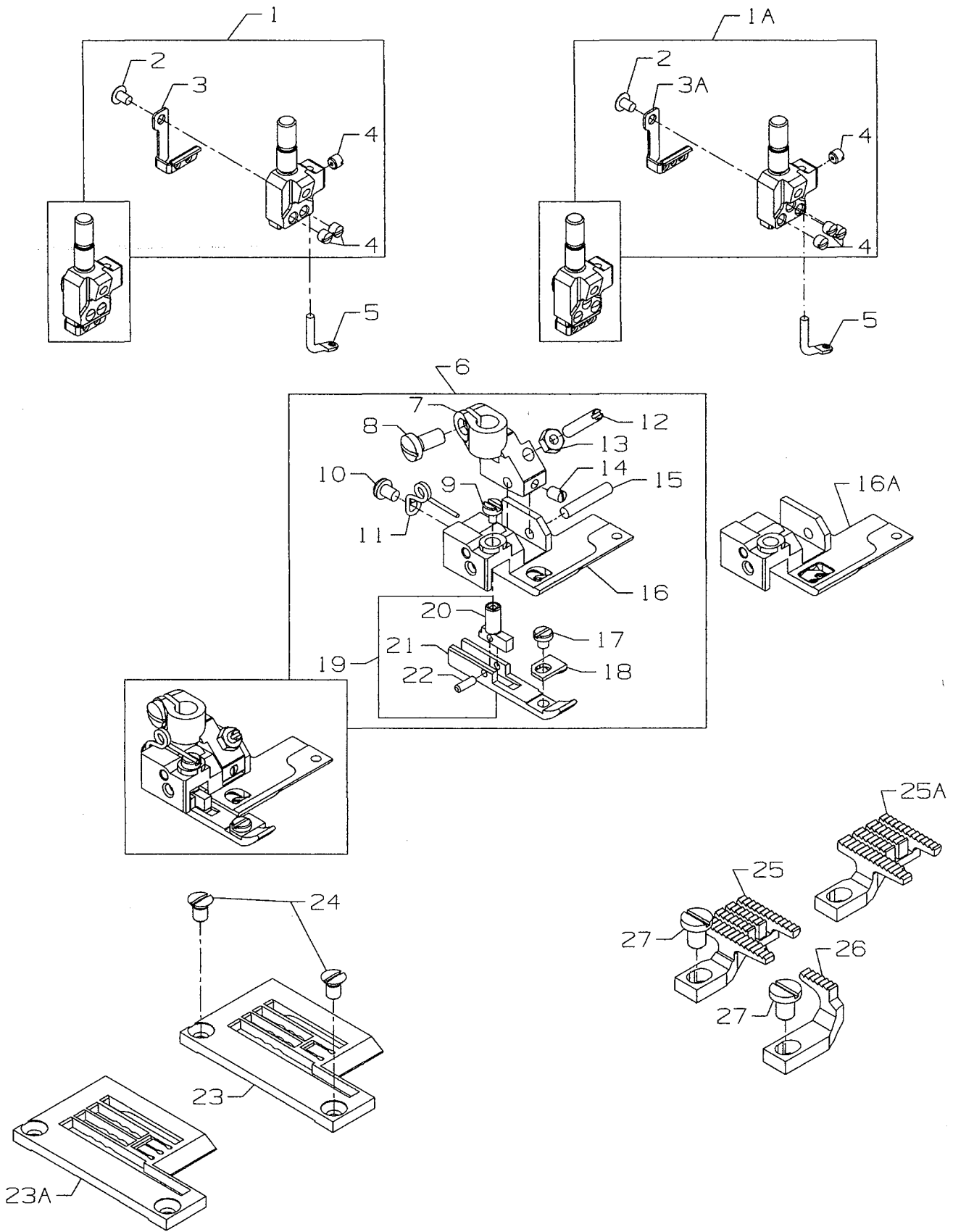
Ref. No.	Part No.	Description	Amt. Req.
1.	29480AWY	Strip Tension Kit .....	1
2.	29480BBS	Tape Reel Assembly .....	1
3.	50322L	Support Shaft .....	1
4.	50392C	Tape Base Assembly .....	1
5.	482C	Collar .....	1
6.	22894C	Screw .....	2
7.	50322BA	Shaft .....	1
8.	90561K	Wood Screw .....	3
9.	50364A	Holder .....	1
10.	22728	Screw .....	1
11.	22728	Screw .....	2
12.	50392BD	Connection .....	1
13.	50392BE	Tape Guide Base .....	1
14.	50378Z	Tape Guide Assembly .....	2
15.	50330FZ	Tape Guide Bar .....	1
16.	50330BK	Tape Guide .....	1
17.	MAL01110000	Screw .....	1
18.	G50-403	Tape Guide Shaft .....	2
19.	907	Nut .....	2
20.	22852G	Screw .....	1
21.	SS7110510SP	Screw .....	2
22.	23432B	Holder, Clamp .....	1
23.	22882	Screw .....	2
24.	HA20A	Washer .....	2
25.	34764E	Holder, Holding Plate .....	1
26.	34764F	Holding Plate .....	1
27.	20	Washer .....	2
28.	22882	Screw .....	2



C02 FOLDER  
(EXTRA SEND & CHARGE)

Collarete Folder, seam spec. BSb. Please specify strip width and finish in mm.

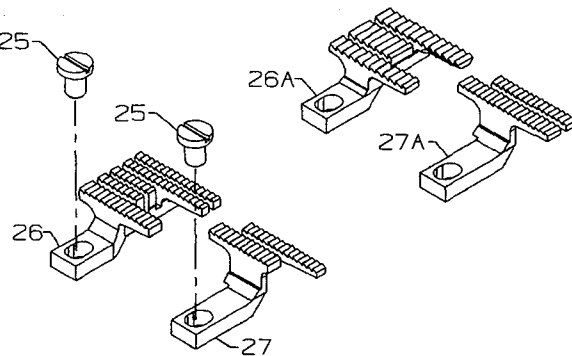
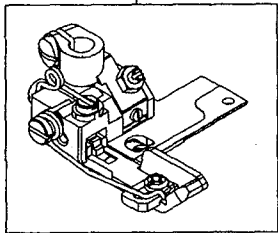
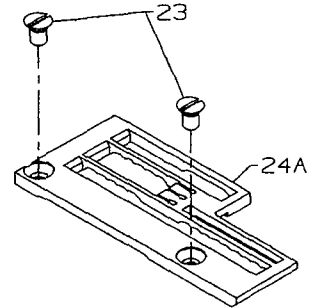
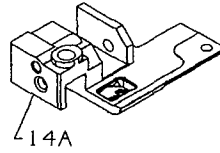
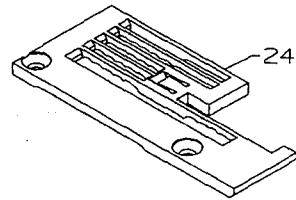
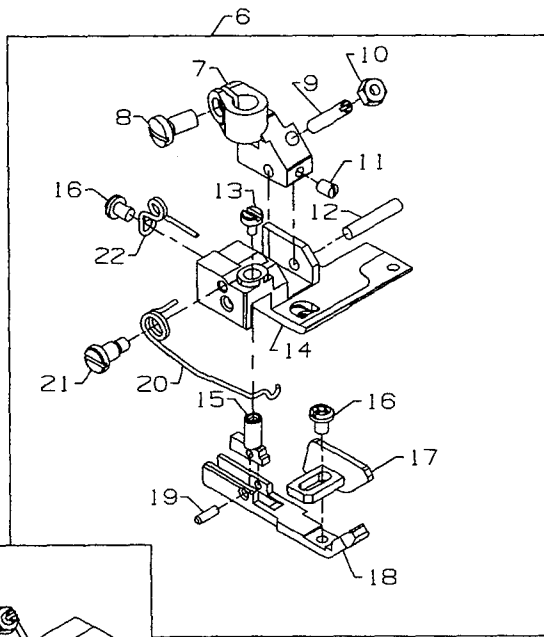
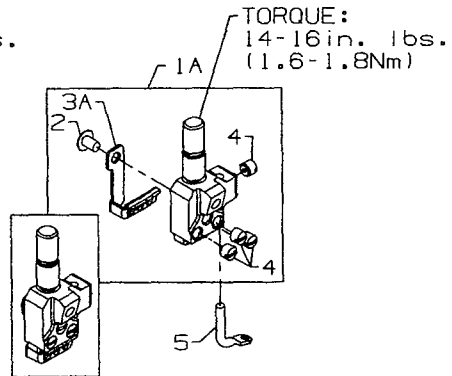
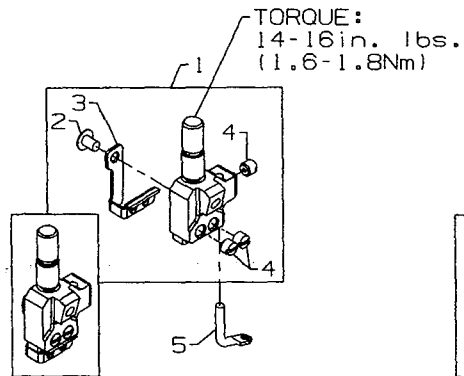
PART NUMBER	 a = FINISH	 b = STRIPWIDTH	 c = MOUTH OPENING	 d = CAPACITY
93006 H-20/7	7mm	20mm	6mm	2mm
93006 H-23/8	8mm	23mm	6mm	2mm
93006 H-28/10	10mm	28mm	6mm	2mm
93006 H-34/12	12mm	34mm	6mm	2mm
93006 H-40/15	15mm	40mm	6mm	2mm
93006 H-42/15	15mm	42mm	6mm	2mm
93006 H-46/18	18mm	46mm	6mm	2mm
93006 H-50/20	20mm	50mm	6mm	2mm
93006 H-54/22	22mm	54mm	6mm	2mm
93006 H-60/25	25mm	60mm	6mm	2mm



SEWING PARTS  
FOR C02

Ref. No.	Part No.	Description	Amt. Req.
1.	-----	Needle Head, on two needle machines (see chart) .....	1
1A.	-----	Needle Head, on three needle machines (see chart) .....	1
2.	SS5060410TP	Screw .....	1
3.	50318AE40	Eyelet, for sewing comb., on two needle machines (see chart) .....	1
3A.	50318AE56	Eyelet, for sewing comb., on three needle machines (see chart) .....	1
4.	SS8080310SP	Screw .....	3/4
5.	50392G	Needle Thread Eyelet .....	1
6.	-----	Presser Foot Assembly, for sewing comb., (see chart) .....	1
7.	50330FP	Shank .....	1
8.	SM7040800SL	Screw .....	1
9.	50330FS	Screw .....	1
10.	SM4030455SP	Screw .....	1
11.	50330FR	Torsion Spring .....	1
12.	18C1475	Screw .....	1
13.	NM6030001SD	Nut .....	1
14.	SM8030500SP	Screw .....	1
15.	PH0300164C0	Pin .....	1
16.	50330FM40	Presser Foot Bottom, for 4.0 gauge .....	1
16A.	50330FM48	Presser Foot Bottom, for 4.8 gauge .....	1
-	50330FM56	Presser Foot Bottom, for 5.6, 6.4 gauges .....	1
17.	SM6030350SD	Screw .....	1
18.	50330FV	Presser Foot Guide .....	1
19.	50330FL56	Yielding Section Assembly .....	1
20.	50330FN	Yielding Section Shank .....	1
21.	50330FW	Yielding Section .....	1
22.	PH0200063C0	Pin .....	1
23.	-----	Throat Plate, for two needle machines (see chart) .....	1
23A.	-----	Throat Plate, for three needle machines (see chart) .....	1
24.	99293	Screw, for throat plate .....	2
25.	-----	Main Feed Dog, for two needle machines (see chart) .....	1
25A.	-----	Main Feed Dog, for three needle machines (see chart) .....	1
26.	-----	Differential Feed Dog, for two needle machines (see chart) .....	1
27.	99293	Screw, for Feed Dog .....	2

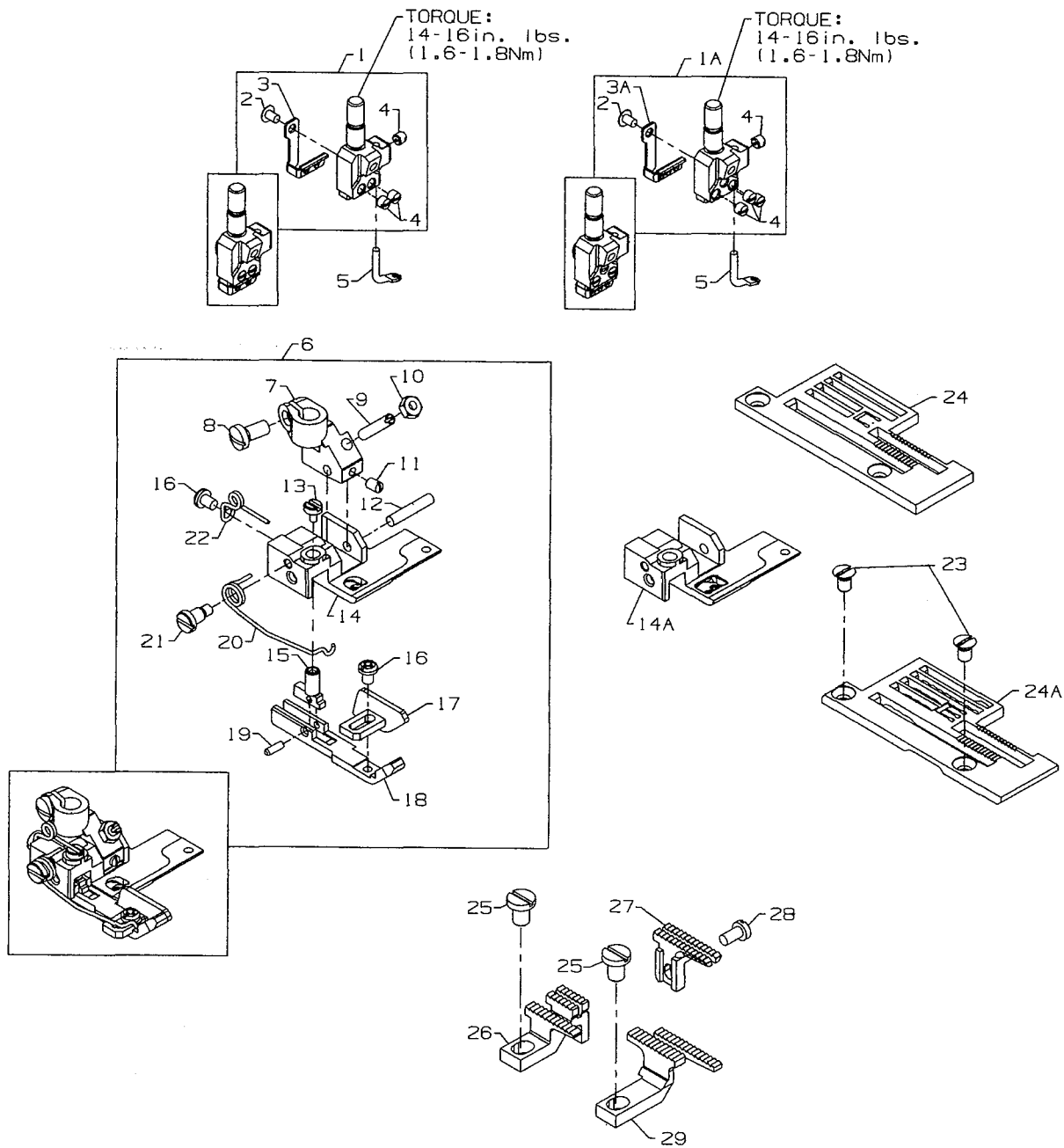
MODEL	NEEDLE HEAD	PRESSER FOOT ASSEMBLY	THROAT PLATE	FEED DOG MAIN	FEED DOG DIFFERENTIAL
MFC-7602A-C02-B40	50318AN40	50320CB40	50324DJ40	50305CA	50326CB
MFC-7602A-C02-B48	50318AN48	50320CB48	50324DJ48		
MFC-7605A-C02-B56	50318AN56	50320CB56	50324DJ56	50305CH	
MFC-7605A-C02-B64	50318AN64		50324DJ64		



SEWING PARTS  
FOR E11

Ref. No.	Part No.	Description	Amt. Req.
1.	-----	Needle Head, on two needle machines (see chart) .....	1
1A.	-----	Needle Head, on three needle machines (see chart) .....	1
2.	SS5060410TP	Screw .....	1
3.	50318AE40	Eyelet, on two needle machines (see chart) .....	1
3A.	50318AE56	Eyelet, on three needle machines (see chart) .....	1
4.	SS8080310SP	Screw .....	3/4
5.	50392G	Needle Thread Eyelet .....	1
6.	-----	Presser Foot Assembly, on two needle machines (see chart) .....	1
6A.	-----	Presser Foot Assembly, on three needle machines (see chart) .....	1
7.	50330FP	Shank .....	1
8.	SM7040800SL	Screw .....	1
9.	18C1475	Screw .....	1
10.	NM6030001SD	Nut .....	1
11.	SM8030500SP	Screw .....	1
12.	PH0300164C0	Pin .....	1
13.	50330FS	Screw .....	1
14.	50330FM40	Presser Foot Bottom, for 4.0 gauge .....	1
14A.	50330FM48	Presser Foot Bottom, for 4.8 gauge .....	1
-	50330FM56	Presser Foot Bottom, for 5.6, 6.4 gauges .....	1
15.	50330FN	Yielding Section Shank .....	1
16.	SM4030455SP	Screw .....	2
17.	50330GN	Elastic Guide .....	1
18.	50330GR	Yielding Section .....	1
19.	PH0200063C0	Pin .....	1
20.	50330GH	Spring .....	1
21.	18C1479	Shoulder Screw .....	1
22.	50330FR	Torsion Spring .....	1
23.	87	Screw, for throat plate .....	2
24.	-----	Throat Plate, for two needle machines (see chart) .....	1
24A.	-----	Throat Plate, for three needle machines (see chart) .....	1
25.	99293	Screw, for feed dog .....	2
26.	-----	Main Feed Dog, for two needle machines (see chart) .....	1
26A.	-----	Main Feed Dog, for three needle machines (see chart) .....	1
27.	-----	Differential Feed Dog, for two needle machines (see chart) .....	1
27A.	-----	Differential Feed Dog, for three needle machines (see chart) .....	1

MODEL	NEEDLE HEAD	PRESSER FOOT ASSEMBLY	THROAT PLATE	FEED DOG MAIN	FEED DOG DIFFERENTIAL
MFC-7406A-E11-D40	50318AN40	50320TB40	34724TB40	34705BW	34726TB10
MFC-7406A-E11-D48	50318AN48	50320TB48	34724TB48		
MFC-7407A-E11-D56	50318AN56	50320TB64	34724TB56	34705TB	34726TB16
MFC-7407A-E11-D64	50318AN64		34724TB64		
MFC-7602A-E11-D40	50318AN40	50320TB40	34724TB40	34705BW	34726TB10
MFC-7602A-E11-D48	50318AN48	50320TB48	34724TB48		
MFC-7605A-E11-D56	50318AN56	50320TB64	34724TB56	34705TB	34726TB16
MFC-7605A-E11-D64	50318AN64		34724TB64		



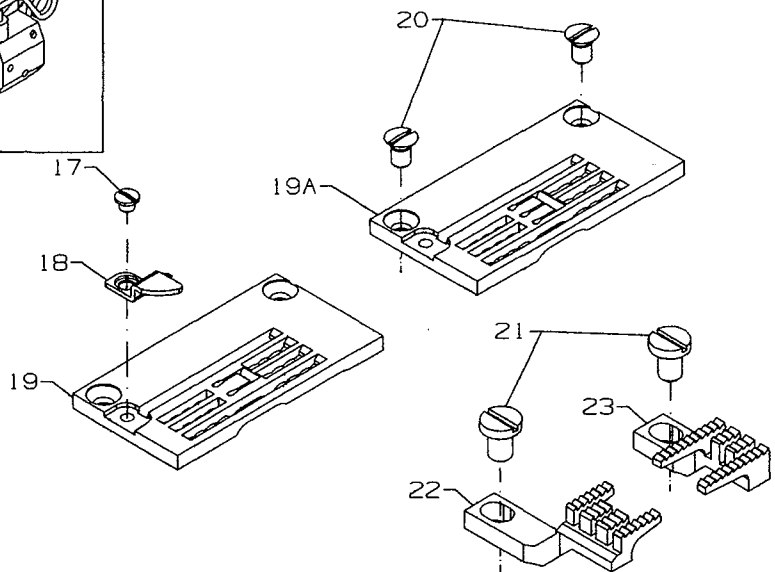
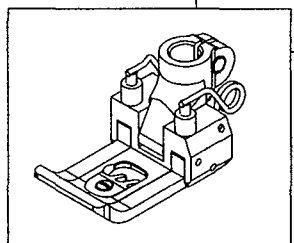
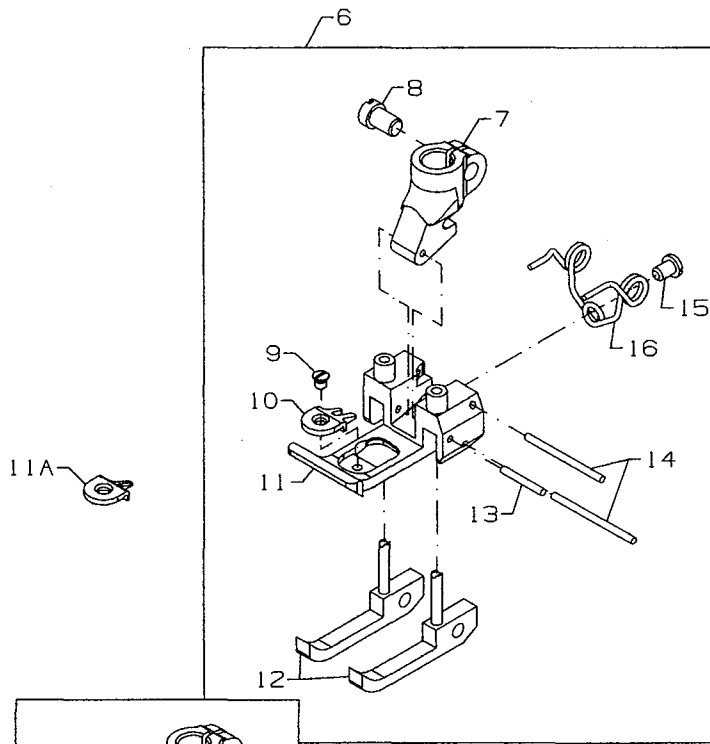
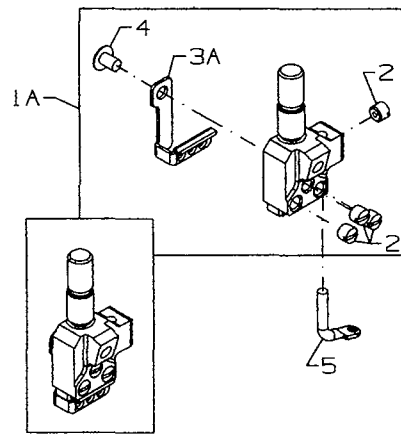
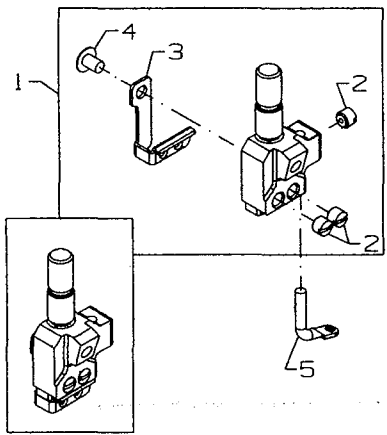
MODEL	NEEDLE HEAD	PRESSER FOOT ASSEMBLY	THROAT PLATE	FEED DOG MAIN	FEED DOG MAIN, RIGHT	FEED DOG DIFFERENTIAL
MFC-7406A-E61-D40/PL1	50318AN40	50320TB40	34724TD10	34805TD8	34805TH	34826TD10
MFC-7406A-E61-D48/PL1	50318AN48	50320TB48	34724TD48			
MFC-7407A-E61-D56/PL1	50318AN56	50320TB56	34724TD56	34805TD16		34826TD16
MFC-7407A-E61-D64/PL1	50318AN64		34724TD64			
MFC-7602A-E61-D40/PL1	50318AN40	50320TB40	34724TD10	34805TD8		34826TD10
MFC-7602A-E61-D48/PL1	50318AN48	50320TB48	34724TD48	34805TD16		
MFC-7605A-E61-D56/PL1	50318AN56	50320TB56	34724TD56			
MFC-7605A-E61-D64/PL1	50318AN64	50320TB56	34724TD64			



SEWING PARTS  
FOR E61

Ref. No.	Part No.	Description	Amt. Req.
1.	-----	Needle Head, on two needle machines (see chart) .....	1
1A.	-----	Needle Head, on three needle machines (see chart) .....	1
2.	SS5060410TP	Screw .....	1
3.	50318AE40	Eyelet, on two needle machines (see chart) .....	1
3A.	50318AE56	Eyelet, on three needle machines (see chart) .....	1
4.	SS8080310SP	Screw .....	3/4
5.	50392G	Needle Thread Eyelet .....	1
6.	-----	Presser Foot Assembly, on two needle machines (see chart) .....	1
6A.	-----	Presser Foot Assembly, on three needle machines (see chart) .....	1
7.	50330FP	Shank .....	1
8.	SM7040800SL	Screw .....	1
9.	18C1475	Screw .....	1
10.	NM6030001SD	Nut .....	1
11.	SM8030500SP	Screw .....	1
12.	PH0300164C0	Pin .....	1
13.	50330FS	Screw .....	1
14.	50330FM40	Presser Foot Bottom, for 4.0 gauge .....	1
14A.	50330FM48	Presser Foot Bottom, for 4.8 gauge .....	1
-	50330FM56	Presser Foot Bottom, for 5.6, 6.4 gauges .....	1
15.	50330FN	Yielding Section Shank .....	1
16.	SM4030455SP	Screw .....	2
17.	50330GN	Elastic Guide .....	1
18.	50330GR	Yielding Section .....	1
19.	PH0200063C0	Pin .....	1
20.	50330GH	Spring .....	1
21.	18C1479	Shoulder Screw .....	1
22.	50330FR	Torsion Spring .....	1
23.	87	Screw, for throat plate .....	2
24.	-----	Throat Plate, for two needle machines (see chart) .....	1
24A.	-----	Throat Plate, for three needle machines (see chart) .....	1
25.	99293	Screw, for feed dog .....	2
26.	-----	Main Feed Dog, for two needle machines (see chart) .....	1
-	-----	Main Feed Dog, for three needle machines (see chart) .....	1
27.	-----	Main Feed Dog, right (see chart) .....	1
28.	77L	Screw, for main feed dog right .....	1
29.	-----	Differential Feed Dog, for two needle machines (see chart) .....	1
-	-----	Differential Feed Dog, for three needle machines (see chart) .....	1

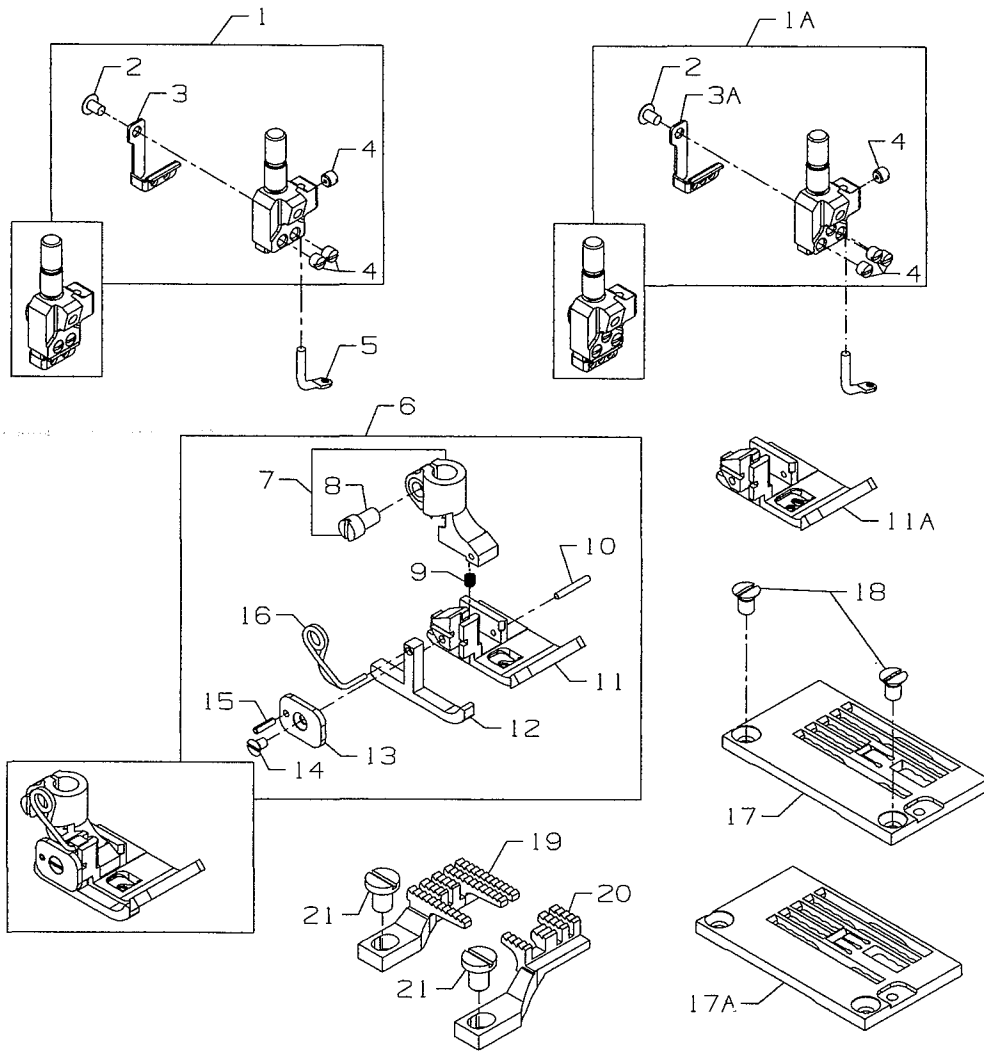
MODEL	NEEDLE HEAD	PRESSER FOOT ASSEMBLY	THROAT PLATE	FEED DOG MAIN	FEED DOG MAIN, RIGHT	FEED DOG DIFFERENTIAL
MFC-7406A-E61-D40/PL1S	50318AN40	50320TB40	34724TD10	34805TD8	34805TH	34826TD10
MFC-7406A-E61-D48/PL1S	50318AN48	50320TB48	34724TD48			
MFC-7407A-E61-D56/PL1S	50318AN56	50320TB56	34724TD56	34805TD16		34826TD16
MFC-7407A-E61-D64/PL1S	50318AN64		34724TD64			
MFC-7602A-E61-D40/PL1S	50318AN40	50320TB40	34724TD10	34805TD8		34826TD10
MFC-7602A-E61-D48/PL1S	50318AN48	50320TB48	34724TD48			
MFC-7605A-E61-D56/PL1S	50318AN56	50320TB56	34724TD56	34805TD16		34826TD16
MFC-7605A-E61-D64/PL1S	50318AN64		34724TD64			



SEWING PARTS  
FOR H01

Ref. No.	Part No.	Description	Amt. Req.
1.	-----	Needle Head, on two needle machines, (see chart) .....	1
1A.	-----	Needle Head, on three needle machines, (see chart) .....	1
2.	SS5060410SP	Set Screw .....	3/4
3.	50318AE40	Eyelet, on two needle machines, (see chart) .....	1
3A.	50318AE56	Eyelet, on three needle machines, (see chart) .....	1
4.	SS6060440TP	Screw .....	1
5.	50392G	Needle Thread Eyelet .....	1
6.	-----	Presser Foot Assembly, for sewing comb., (see chart) .....	1
7.	G65-134	Presser Foot Shank .....	1
8.	91	Screw .....	1
9.	G50-266	Bushing .....	2
10.	22716A	Screw .....	1
11.	50397A48	Stitch Tongue, for 4.8 gauge .....	1
11A.	50397C	Stitch Tongue, for 4.0 gauge .....	1
-	50397A16	Stitch Tongue, for 5.6, 6.4 gauges .....	1
12.	50330BL16	Presser Foot Bottom .....	1
13.	57830A	Yielding Section .....	2
14.	6-25-55	Drill Rod .....	3
15.	605	Screw .....	1
16.	79633	Spring .....	1
17.	HT2C	Screw .....	1
18.	34703W2.3	Throat Plate Edge Guide .....	1
-	34703W4.3	Throat Plate Edge Guide .....	1
19.	-----	Throat Plate, for two needle machines (see chart) .....	1
19A.	-----	Throat Plate, for three needle machines (see chart) .....	1
20.	87	Screw, for throat plate .....	2
21.	99293	Screw, for feed dogs .....	1
22.	-----	Differential Feed Dog (see chart) .....	2
23.	-----	Main Feed Dog (see chart) .....	1

MODEL	NEEDLE HEAD	PRESSER FOOT ASSEMBLY	THROAT PLATE	FEED DOG MAIN	FEED DOG DIFFERENTIAL
MFC-7406A-H01-A40	50318AN40	50320AH	50324BL40	34705F	34726F
MFC-7406A-H01-C40			34724F10		
MFC-7406A-H01-A48	50318AN48	50320T48	50328BL48		
MFC-7406A-H01-C48			50324F48		
MFC-7407A-H01-A56	50318AN56	50320T60	50324BL56		
MFC-7407A-H01-B56			50324BS56		
MFC-7407A-H01-C56			34724F56		
MFC-7407A-H01-A64	50318AN64	50320T60	50324BL64		
MFC-7407A-H01-B64			50324BS64		
MFC-7407A-H01-C64			34724F64		
MFC-7602A-H01-A40			50318AN40		
MFC-7602A-H01-C40	34724F10				
MFC-7602A-H01-A48	50318AN48	50320T48	50328BL48		
MFC-7602A-H01-C48			50324F48		
MFC-7605A-H01-A56	50318AN56	50320T60	50324BL56		
MFC-7605A-H01-B56			50324BS56		
MFC-7605A-H01-C56			34724F56		
MFC-7605A-H01-A64	50318AN64	50320T60	50324BL64		
MFC-7605A-H01-B64			50324BS64		
MFC-7605A-H01-C64			34724F64		

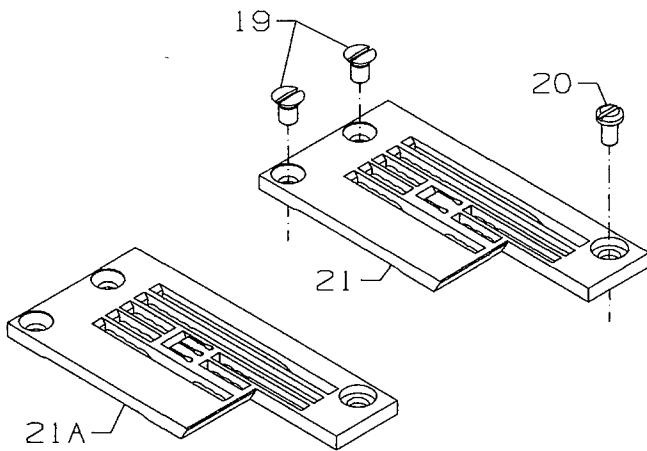
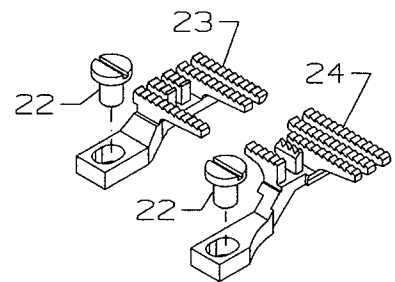
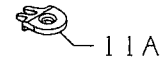
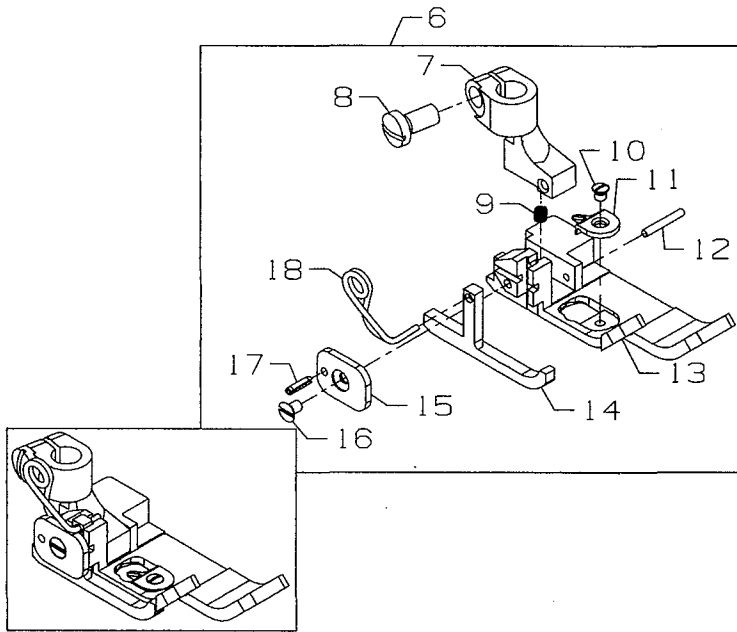
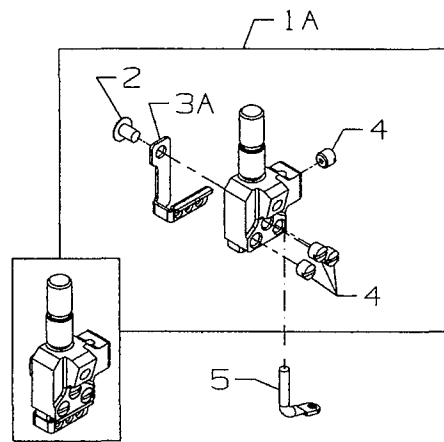
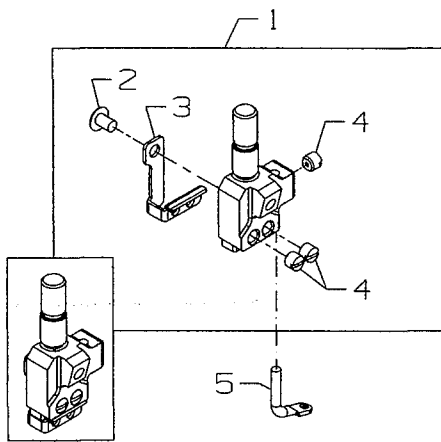


MODEL	NEEDLE HEAD	PRESSER FOOT ASSEMBLY	THROAT PLATE	FEED DOG MAIN	FEED DOG DIFFERENTIAL	
MFC-7406A-H11-A40/PL1	50318AN40	50320BE40	50324CJ40	34705DG	34726DG	
MFC-7406A-H11-C40/PL1			34724E10			
MFC-7406A-H11-A48/PL1	50324CJ48					
MFC-7406A-H11-C48/PL1	34724E48					
MFC-7407A-H11-A56/PL1	50318AN56	50320BF64	50324CK56			
MFC-7407A-H11-B56/PL1			50324CL56			
MFC-7407A-H11-C56/PL1	34724E56					
MFC-7407A-H11-A64/PL1	50324CK64					
MFC-7407A-H11-B64/PL1	50318AN64	50320BF64	50324CL64			
MFC-7407A-H11-C64/PL1			34724E64			
MFC-7602A-H11-A40/PL1	50318AN40		50320BE40			50324CJ40
MFC-7602A-H11-C40/PL1						34724E10
MFC-7602A-H11-A48/PL1	50324CJ48					
MFC-7602A-H11-C48/PL1	34724E48					
MFC-7605A-H11-A56/PL1	50318AN56	50320BF64	50324CK56			
MFC-7605A-H11-B56/PL1			50324CL56			
MFC-7605A-H11-C56/PL1	34724E56					
MFC-7605A-H11-A64/PL1	50324CK64					
MFC-7605A-H11-B64/PL1	50318AN64	50320BF64	50324CL56			
MFC-7605A-H11-C64/PL1			34724E64			

SEWING PARTS  
FOR H11/PL1, H11/PL1S

Ref. No.	Part No.	Description	Amt. Req.
1.	-----	Needle Head, for two needle machines (see chart) .....	1
1A.	-----	Needle Head, for three needle machines (see chart) .....	1
2.	SS8080310TP	Screw .....	1
3.	50318AE40	Needle Eyelet, for 4.0, 4.8 gauges .....	1
3A.	50318AE56	Needle Eyelet, for 5.6, 6.4 gauges .....	1
4.	SS5060410SP	Screw .....	3 / 4
5.	50392G	Needle Thread Eyelet .....	1
6.	-----	Presser Foot Assembly, for 4.0, 4.8 gauges (see chart) .....	1
-	-----	Presser Foot Assembly, for 5.6, 6.4 gauges (see chart) .....	1
7.	G57730GB	Shank .....	1
8.	91	Screw .....	1
9.	39568J	Pressure Spring .....	1
10.	61330B41	Pin .....	1
11.	50330BH40	Presser Foot Bottom, for 4.0, 4.8 gauges .....	1
11A.	50330BH64	Presser Foot Bottom, for 5.6, 6.4 gauges .....	1
12.	34730A	Yielding Section .....	1
13.	G57730GC	Plate .....	1
14.	22716	Screw .....	1
15.	96651	Roll Pin .....	1
16.	G57730GD	Torsion Spring .....	1
17.	-----	Throat Plate, for two needle machines (see chart) .....	1
17A.	-----	Throat Plate, for three needle machines (see chart) .....	1
18.	87	Screw, for throat plate .....	2
19.	-----	Main Feed Dog (see chart) .....	1
20.	-----	Differential Feed Dog (see chart) .....	1
21.	99293	Screw, for feed dogs .....	2

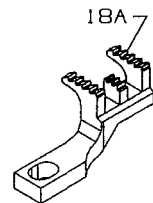
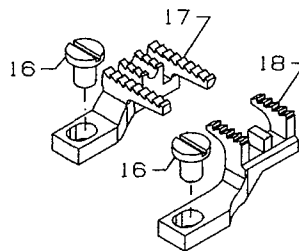
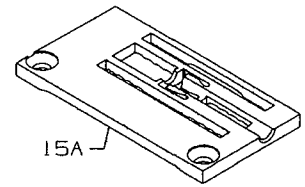
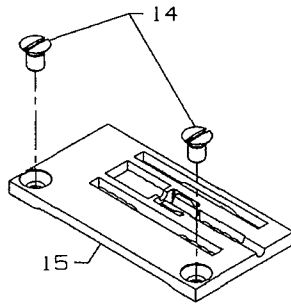
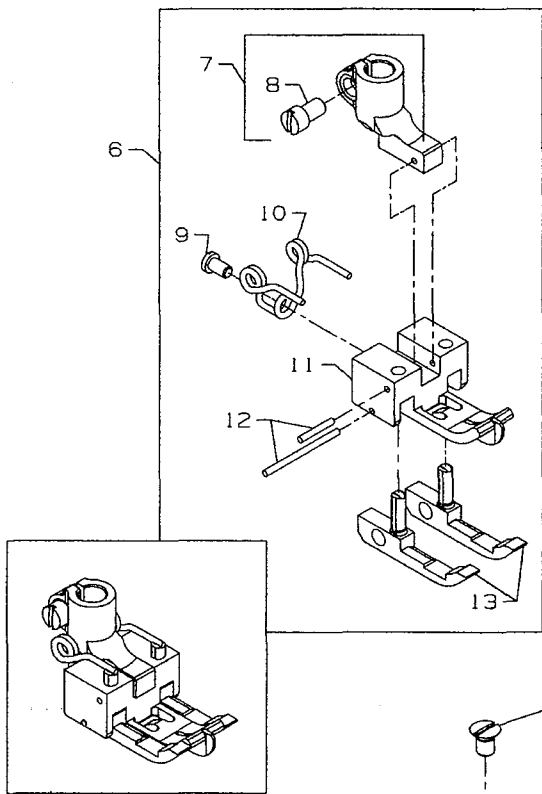
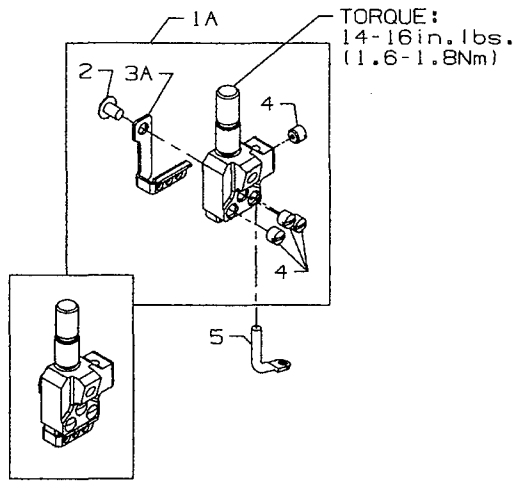
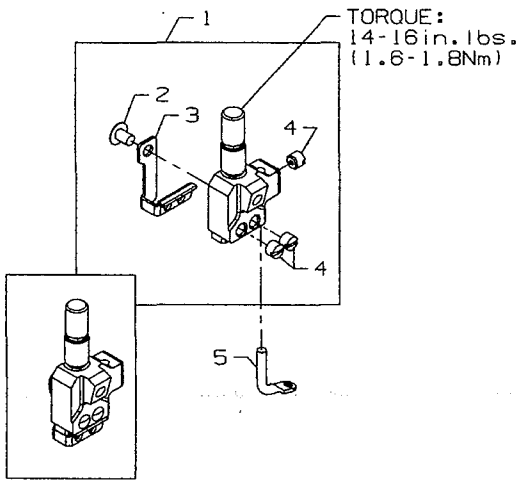
MODEL	NEEDLE HEAD	PRESSER FOOT ASSEMBLY	THROAT PLATE	FEED DOG MAIN	FEED DOG DIFFERENTIAL
MFC-7406A-H11-A40/PL1S	50318AN40	50320BE40	50324CJ40	34705DG	34726DG
MFC-7406A-H11-C40/PL1S			34724E10		
MFC-7406A-H11-A48/PL1S	50318AN48	50320BE40	50324CJ48		
MFC-7406A-H11-C48/PL1S			34724E48		
MFC-7407A-H11-A56/PL1S	50318AN56	50320BF64	50324CK56		
MFC-7407A-H11-B56/PL1S			50324CL56		
MFC-7407A-H11-C56/PL1S	50318AN64	50320BF64	34724E56		
MFC-7407A-H11-A64/PL1S			50324CK64		
MFC-7407A-H11-B64/PL1S			50324CL64		
MFC-7407A-H11-C64/PL1S			34724E64		
MFC-7602A-H11-A40/PL1S	50318AN40	50320BE40	50324CJ40		
MFC-7602A-H11-C40/PL1S			34724E10		
MFC-7602A-H11-A48/PL1S	50318AN48	50320BE40	50324CJ48		
MFC-7602A-H11-C48/PL1S			34724E48		
MFC-7605A-H11-A56/PL1S	50318AN56	50320BF64	50324CK56		
MFC-7605A-H11-B56/PL1S			50324CL56		
MFC-7605A-H11-C56/PL1S	50318AN64	50320BF64	34724E56		
MFC-7605A-H11-A64/PL1S			50324CK64		
MFC-7605A-H11-B64/PL1S			50324CL56		
MFC-7605A-H11-C64/PL1S			34724E64		



SEWING PARTS  
FOR H21

Ref. No.	Part No.	Description	Amt. Req.
1.	-----	Needle Head, on two needle machines (see chart) .....	1
1A.	-----	Needle Head, on three needle machines (see chart) .....	1
2.	SS6066440TP	Screw .....	1
3.	50318AE40	Eyelet, for 4.0, 4.8 gauges.....	1
3A.	50318AE56	Eyelet, for 5.6, 6.4 gauges .....	1
4.	SS8080310TP	Screw .....	3/4
5.	50392G	Needle Thread Eyelet .....	1
6.	-----	Presser Foot Assembly, (see chart) .....	1
7.	50330FX	Presser Foot Shank .....	1
8.	SM7040800SL	Screw .....	1
9.	39568J	Spring .....	1
10.	22716A	Screw .....	1
11.	50397C	Stitch Tongue, for 4.0, 4.8 gauges .....	1
11A.	G52897A16	Stitch Tongue, for 5.6, 6.4 gauges .....	1
12.	61330B42	Drill Rod .....	1
13.	50330DU64	Presser Foot Bottom .....	1
14.	34730AT	Yielding Section .....	1
15.	G57730GC	Plate .....	1
16.	22716	Screw .....	1
17.	96651	Roll Pin .....	1
18.	G57730GD	Spring .....	1
19.	87	Screw, for throat plate .....	3
20.	22768	Screw, for throat plate .....	1
21.	-----	Throat Plate, for two needle machines (see chart) .....	1
21A.	-----	Throat Plate, for three needle machines (see chart) .....	1
22.	99293	Screw, for feed dogs .....	2
23.	-----	Differential Feed Dog (see chart) .....	1
24.	-----	Main Feed Dog (see chart) .....	1

MODEL	NEEDLE HEAD	PRESSER FOOT ASSEMBLY	THROAT PLATE	FEED DOG MAIN	FEED DOG DIFFERENTIAL	
MFC-7406A-H21-A40	50318AN40	50320CA40	50324FR40	50305FT	50326FT	
MFC-7406A-H21-C40			50324FT40			
MFC-7406A-H21-A48	50318AN48		50324FR48			
MFC-7406A-H21-C48			50324FT48			
MFC-7407A-H21-A56	50318AN56	50320CA56	50324FR56			
MFC-7407A-H21-B56			50324FS56			
MFC-7407A-H21-C56			50324FT56			
MFC-7407A-H21-A64	50318AN64		50324FR64			
MFC-7407A-H21-B64			50324FS64			
MFC-7407A-H21-C64			50324FT64			
MFC-7602A-H21-A40			50318AN40			50320CA40
MFC-7602A-H21-C40	50324FT40					
MFC-7602A-H21-A48	50318AN48	50324FR48				
MFC-7602A-H21-C48		50324FT48				
MFC-7605A-H21-A56	50318AN56	50320CA56	50324FR56			
MFC-7605A-H21-B56			50324FS56			
MFC-7605A-H21-C56			50324FT56			
MFC-7605A-H21-A64	50318AN64		50324FR64			
MFC-7605A-H21-B64			50324FS64			
MFC-7605A-H21-C64			50324FT64			

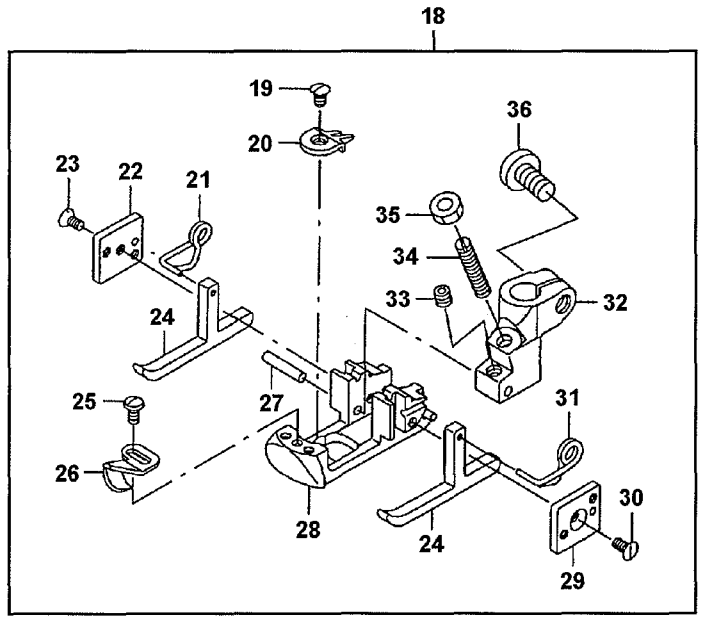
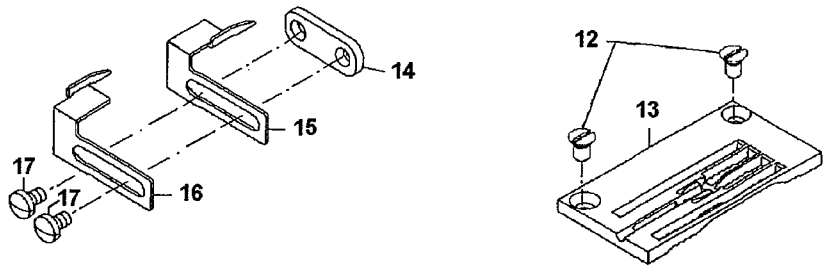
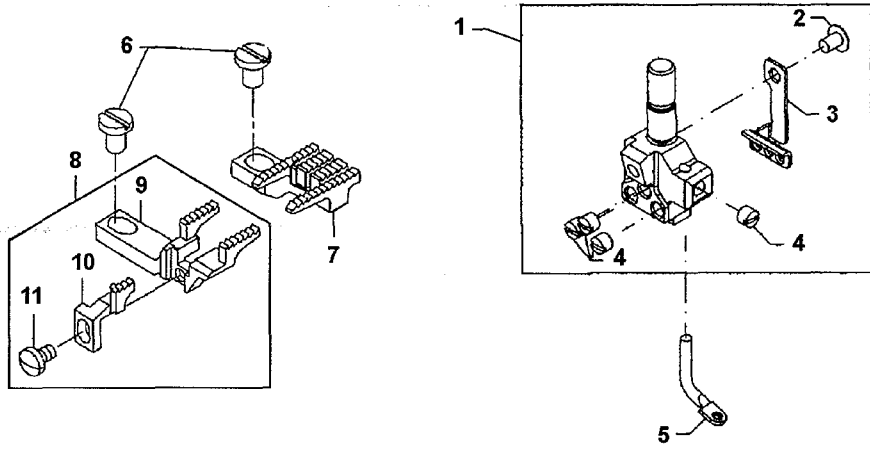




SEWING PARTS  
FOR K01, K02

Ref. No.	Part No.	Description	Amt. Req.
1.	-----	Needle Head, for two needle machines (see chart) .....	1
1A.	-----	Needle Head, for three needle machines (see chart) .....	1
2.	SS6066440TP	Screw .....	1
3.	50318AE40	Eyelet, for 4.8 gauge .....	1
3A.	50318AE56	Eyelet, for 5.6, 6.4 gauges .....	1
4.	SS8080310TP	Set Screw .....	4-6
5.	50392G	Needle Thread Eyelet .....	1
6.	-----	Presser Foot, for sewing comb., (see chart) .....	1
7.	31130A	Presser Foot Shank .....	1
8.	91	Screw .....	1
9.	605C	Screw .....	1
10.	G11940	Spring .....	1
11.	G65-90	Presser Foot Guide for 4.8 gauge .....	1
12.	6-25-55	Drill Rod .....	2
13.	31130RA	Yielding Section .....	2
14.	87	Screw, for throat plate .....	2
15.	-----	Throat Plate, for two needle machines (see chart) .....	1
15A.	-----	Throat Plate, for three needle machines (see chart) .....	1
16.	99293	Screw, for feed dogs .....	1
17.	-----	Main Feed Dog (see chart) .....	1
18.	-----	Differential Feed Dog, for K01 (see chart) .....	1
18A.	-----	Differential Feed Dog, for K02 (see chart) .....	1

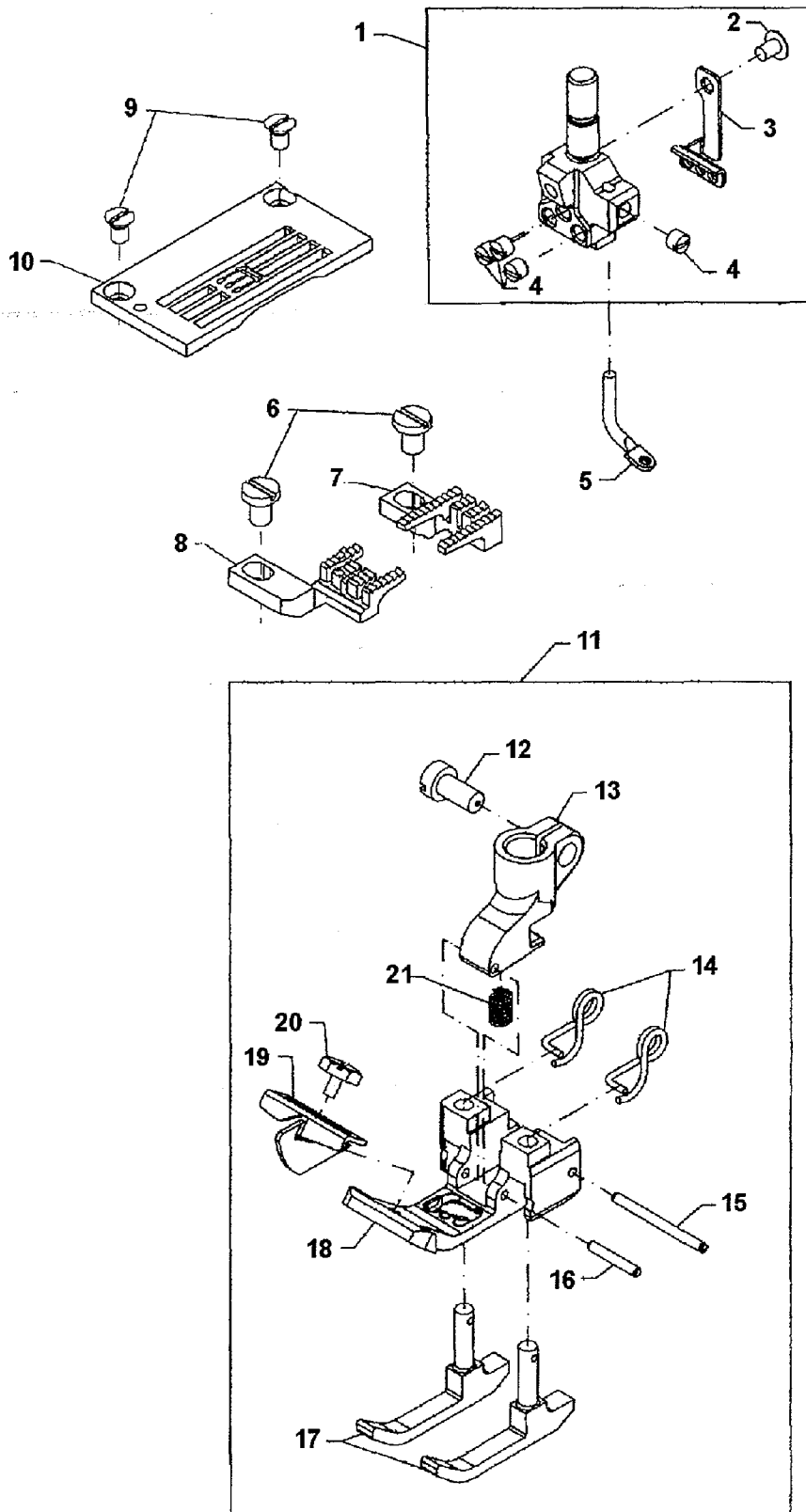
MODEL	NEEDLE HEAD	PRESSER FOOT ASSEMBLY	THROAT PLATE	FEED DOG MAIN	FEED DOG DIFFERENTIAL
MFC-7406A-K01-D48	50318AN48	34727CA48	34724CA48	34705CA	34726CA16
MFC-7406A-K01-D56	50318AN56	34727CA60	34724CA56		
MFC-7406A-K01-D64	50318AN64		34724CA64		
MFC-7406A-K02-D56	50318AN56		34724CB56		34726A
MFC-7406A-K02-D64	50318AN64	34724CB64	34726CA16		
MFC-7602A-K01-D48	50318AN48	34727CA48			34724CA48
MFC-7602A-K01-D56	58318AN56	34727CA60			34724CA56
MFC-7602A-K01-D64	50318AN64				34724CA64
MFC-7602A-K02-D56	50318AN56				34724CB56
MFC-7602A-K02-D64	50318AN64		34724CB64		



SEWING PARTS  
FOR U03

Ref. No.	Part No.	Description	Amt. Req.
1.	-----	Needle Head, for three needle machines (see chart) .....	1
2.	SS6066440TP	Screw .....	1
3.	50318AE56	Eyelet, for 5.6, 6.4 gauges .....	1
4.	SS8080310TP	Set Screw .....	4
5.	50392G	Needle Thread Eyelet .....	1
6.	99293	Screw, for feed dogs .....	2
7.	-----	Main Feed Dog, (see chart) .....	1
8.	-----	Differential Feed Dog, (see chart) .....	1
9.	50326BH	Feed Dog .....	1
10.	50326BJ	Feed Dog, Assist .....	1
11.	SS7080520SP	Screw .....	1
12.	87	Screw, for throat plate .....	2
13.	-----	Throat Plate, (see chart) .....	1
14.	50337AV	Spacer .....	1
15.	50337AR	Guide, Left .....	1
16.	50337AS	Guide, Right .....	1
17.	22548	Screw .....	2
18.	-----	Presser Foot, for sewing comb., (see chart) .....	1
19.	22716A	Screw .....	1
20.	50397B16	Stitch Tongue .....	1
21.	50330EM	Spring, Left .....	1
22.	50330EN	Presser Foot Guide Plate .....	1
23.	SM1020450TP	Screw .....	1
24.	50330EK	Yielding Section .....	2
25.	18C1476	Screw .....	1
26.	50330EJ	Cloth Guide .....	1
27.	PH0200102C0	Parallel Pin .....	1
28.	50330ET	Presser Foot .....	1
29.	50330EN	Presser Foot Guide Plate .....	1
30.	SM1020450TP	Screw .....	1
31.	50330EL	Spring, Right .....	1
32.	50330EP	Presser Foot Hinge .....	1
33.	SM8030382TP	Screw .....	1
34.	1801476	Screw .....	1
35.	NM6030250SC	Nut .....	1
36.	SM7040800SL	Screw .....	1

MODEL	NEEDLE HEAD	PRESSER FOOT ASSEMBLY	THROAT PLATE	FEED DOG MAIN	FEED DOG DIFFERENTIAL
MFC7407A-U03-B56	50318AN56	50320BZ56	50324DE56	50305BU	50326BK
MFC7407A-U03-B64	50318AN64		50324DE64		
MFC7605A-U03-B56	50318AN56		50324DE56		
MFC7605A-U03-B64	50318AN64		50324DE64		



SEWING PARTS  
FOR U06

Ref. No.	Part No.	Description	Amt. Req.
1.	-----	Needle Head, for three needle machines (see chart) .....	1
2.	SS6066440TP	Screw .....	1
3.	50318AE40	Eyelet, for 4.8 gauges .....	1
-	50318AE56	Eyelet, for 5.6, 6.4 gauges .....	1
4.	SS8080310TP	Set Screw .....	4
5.	50392G	Needle Thread Eyelet .....	1
6.	99293	Screw, for feed dogs .....	2
7.	-----	Main Feed Dog, (see chart) .....	1
8.	-----	Differential Feed Dog, (see chart) .....	1
9.	87	Screw, for throat plate .....	2
10.	-----	Throat Plate, (see chart) .....	1
11.	-----	Presser Foot, for sewing comb., (see chart) .....	1
12.	SS6090810TP	Screw .....	1
13.	50330EY	Presser Foot Shank .....	1
14.	50330FB	Spring .....	2
15.	50330FE	Roll Pin .....	1
16.	50330FD	Pin .....	1
17.	50330GB	Yielding Section .....	2
18.	50330GD48	Presser Foot Bottom for 4.8 gauge .....	1
-	50330GD56	Presser Foot Bottom for 5.6, 6.4 gauge .....	1
19.	50330GA	Cloth Guide .....	1
20.	18C1478	Screw .....	1
21.	50330FF	Spring .....	1

MODEL	NEEDLE HEAD	PRESSER FOOT ASSEMBLY	THROAT PLATE	FEED DOG MAIN	FEED DOG DIFFERENTIAL
MFC7406A-U06-C48	50318AN48	50320CD48	50324DK48	50305BV	50326BN
MFC7407A-U06-B56	50318AN56	50320CD56	50324DF56		
MFC7407A-U06-B64	50318AN64		50324DF64	50305CC	50326BX
MFC7602A-U06-C48	50318AN48	50320CD48	50324DK48	50305BV	50326BN
MFC7605A-U06-B56	50318AN56	50320CD56	50324DF56		
MFC7605A-U06-B64	50318AN64		50324DF64	50305CC	50326BX
MFC7602A-U06-C48/PL1	50318AN48	50320CD48	50324DK48	50305BV	50326BN
MFC7605A-U06-B56/PL1	50318AN56	50320CD56	50324DF56		
MFC7605A-U06-B64/PL1	50318AN64		50324DF64	50305CC	50326BX

## NUMERICAL INDEX OF PARTS

<u>Part No.</u>	<u>Page No.</u>	<u>Part No.</u>	<u>Page No.</u>	<u>Part No.</u>	<u>Page No.</u>	<u>Part No.</u>	<u>Page No.</u>
11071602	21	22807	59	29480AWY	65	34380	37
11071701	21	22811B	29	29480AYJ	17	34380B	55
11550209	19	22829	9	29480AZV	63	34380C	55
11638M	57	22836	47	29480BBS	65	34380E	45
11969557	61	22852G	65	29480BCV	45	34380T	37
12124202	17	22874C	33	29924LA	59	34381A	37
12288403	61	22874F	49	29924M	49	34381B	37
1266001	49	22875N	19	31130A	81	34382EA	41
12865	49	22882	65	31130RA	81	34382H	33
128GBS075/029	61	22892C	57	33688	59	34382J	41
18	47	22894AD	9, 31	34306D	35	34382UA	37, 39
18-1470	27	22894AD	35, 55	34321CC	61	34382V	37, 39
1801476	83	22894AD	9, 31	34334A	35	34382W	37, 39
18C1471	17	22894AD	35, 55	34334S	33	34390	9
18C1475	69, 71	22894BD	9, 35	34335	35	34393D	27
18C1475	73	22894BG	49	34335A	35	34393L	27
18C1476	83	22894C	29, 59	34335D	35	34393M	27
18C1478	85	22894C	65	34335G	33	34394A	9
18C1479	71, 73	22894T	31	34335H	35	34394B	9
20	65	22894W	29, 35	34335J	33, 35	34395	61
21657E	47	22894X	29, 33	34336A	33	34642A	29
2165D-0.2	37, 39	22894X	35, 47	34336B	9	34682C	27
22503F	33	22894Y	59	34336C	9	34703A	37
22517	55	23432B	65	34336D	9	34703B	37
22528	49, 59	258A	27	34336E	9	34703CA	37
22541B	29, 37	25CC	59	34336N	33	34703F1	43
22541B	39	25S	39, 43, 45	34336P	35, 59	34703F3	43, 45
22548	41, 43	28604R	61	34336Q	33	34703FA1	43
22548	45, 83	28B	35	34336RA	33	34703FA1	45
22561	39	29105BK	29	34336S	33	34703W2.3	75
22562	21	29126FW	15	34336U	33	34703W4.3	75
22562A	33	29475CG	17	34336V	33	34703X	45
22562B	37, 39	29476SA	43	34337	35	34703Z	43
22562B	63	29476SH	33	34337A	35	34703ZA	43
22565C	9, 49	29476SJ	35	34337B	35	34703ZB	43
22569AH	41	29476SP	53	34337CA	35	34709D	29
22569B	25	29476SS	57	34337F	33	34730A	77
22569C	43	29476SW	55	34338	33	34730AT	79
22569G	35	29476TA	43	34338B	33	34731	47
22570B	47	29476TC	11	34340A	33	34731B	47
22571E	27	29476TH	11	34342F	9	34731C	47
22571F	9	29476TJ	27	34342G	9	34731D	47
22580	31	29476TK	21	34342J	29	34734	49
22585C	43, 47	29476TP	35	34343C	29	34738A	49
22585C	55	29476TR	27	34344A	29	34739A	49
22585R	49	29476TS	27	34344D	29	34739L	59
22596	59	29476TT	21	34344E	29	34739N	49
22652A12	29	29476TU	37	34353	33	34749B	49
22715A	43	29476TV	37	34353A	33	34749EL	59
22716	77, 79	29476UA	31	34358BA	31	34750A	49
22716A	75, 79	29476UN	39	34358CA	31	34750EA	49
22716A	83	29476UV	57	34358F	17	34763B	49
22728	65	29476UX	51	34363	35	34763BA	49
22729	49	29476VK	29	34363A	35	34763C	49
22729AB	49	29476VL	27	34363B	35	34764DA	45
22729ABA	59	29476VR	45	34363C	35	34764E	65
22730	43, 45	29476VS	45	34366	31	34764F	65
22738B	33	29476XT	35	34367	37, 39	34767	55
22743	31	29476XU	55	34367	45	34767K	43
22746	37, 39	29476YY	39	34367A	37	34770H	49
22757E	43	29480ARN	39	34367B	37, 39	34771A	49
22766	43, 45	29480ASU	39	34367B	45	34771AA	49
22768	79	29480AWK	59	34368	31	34771B	49

NUMERICAL INDEX OF PARTS

<u>Part No.</u>	<u>Page No.</u>	<u>Part No.</u>	<u>Page No.</u>	<u>Part No.</u>	<u>Page No.</u>	<u>Part No.</u>	<u>Page No.</u>
34771C	49	50302	39	50330FM56	73	50347E	9
34771D	49	50302A	41	50330FN	69, 71	50347F	9
34771E	49	50302D	41	50330FN	73	50347G	15
34771F	49	50302F	45	50330FP	69, 71	50347J	15
34771G	49	50304M	31	50330FP	73	50347L	9
34771H	49	50311C	25	50330FR	69, 71	50347T	35
34771J	49	50313T	29	50330FR	73	50348	29
34771K	49	50314G	29	50330FS	69, 71	50351A	11
34771L	49	50317B	11	50330FS	73	50352	11
34771PA	49	50317C	23	50330FV	69	50354F	11
34771SL	59	50318AE40	69, 73	50330FW	69	50354G	11
34771TL	59	50318AE40	75, 77	50330FX	79	50354H	9
34771UL	59	50318AE40	79, 81	50330FZ	65	50354J	9
34771VL	59	50318AE40	85	50330GA	85	50355AM	11
34774	57	50318AE56	69, 71	50330GB	85	50355AN	11
34776B	55	50318AE56	73, 75	50330GD48	85	50355AR	21
34776F	55	50318AE56	77, 79	50330GD56	85	50355AS	57
34778A	57	50318AE56	81, 83	50330GH	71, 73	50357AG	31
34778C	57	50318AE56	85	50330GN	71, 73	50357AH	31
34778GD	39	50321J	25	50330GR	71, 73	50357AJ	31
34778GF	39	50321M	13	50332S	27	50357AK	31
34779	49	50322AF	13	50332U	9	50357AP	21
34780	39	50322AH	25	50332V	21	50357AR	17
34780CA	37	50322AN	25	50333H	31	50357AS	17
34780CB	37	50322AZ	9	50333P	21	50357AT	17
34780M	39	50322BA	65	50335AF	21	50357AV	17
34782C	41	50322BB	13	50335AG	21	50357AW	17
34783N	47	50322BF	33	50335AH	21	50357AX	17
34785	49	50322BG	25	50335AP	25	50357Y	17
34785L	59	50322BH	49	50335AW	15	50358U	17
34786B	39	50322L	65	50335BC	25	50358V	17
34786C	39	50323P	11	50335BD	13	50358W	17
34786D	39	50323S	31	50335BE	29	50358X	11
34786G	47	50325AB	31	50337AF	45	50360	15
34786GA	47	50325AL	31	50337AM	51	50360B	15
34786GB	47	50325AM	31	50337AP	35	50360F	15
34786GC	47	50325AN	31	50337AR	83	50360G	15
34786GE	47	50326BH	83	50337AS	83	50360H	15
34786GF	47	50326BJ	83	50337AT	45	50363CK	17
34786GG	47	50330BH40	77	50337AU	45	50364A	65
34893	29	50330BH64	77	50337AV	83	50364AD	45
35082E	41	50330BK	65	50337BE	47	50364R	43
35082F	41	50330BL16	75	50342AY	13	50364S	39, 43
35733G	51	50330CZ	9	50342BD	25	50364S	45
36271A	17	50330DU64	79	50342BH	25	50364VB	43
376	39	50330EJ	83	50343B	29	50364X	39
39531A	47	50330EK	83	50343C	29	50364Y	39
39531B	47	50330EL	83	50343RC	29	50364Z	43
39536C	33	50330EM	83	50344AG	29	50366	17
39543E	29	50330EN	83	50344AP	53	50366A	17
39568J	77, 79	50330EP	83	50344AR	25	50366B	17
41350X	27	50330ET	83	50344AT	51	50366G	17
421D42	61	50330EY	85	50344AV	9	50366J	17
43281K	43	50330FB	85	50344BK	9	50366L	17
4611U	59	50330FD	85	50344BL	9	50367S	35
482C	65	50330FE	85	50344BM	29	50367T	35
50301BK	43	50330FF	85	50344BN	9	50370F	17
50301BW	39	50330FL56	69	50344BP	9	50370J	59
50301BX	43	50330FM40	69, 71	50344BU	9	50372A	59
50301CP	41	50330FM40	73	50345W	11	50372B	59
50301CU	45	50330FM48	69, 71	50346	17	50375V	57
50301CV	45	50330FM48	73	50346A	15	50375Y	57
50301CW	45	50330FM56	69, 71	50347C	15		

## NUMERICAL INDEX OF PARTS

<u>Part No.</u>	<u>Page No.</u>	<u>Part No.</u>	<u>Page No.</u>	<u>Part No.</u>	<u>Page No.</u>	<u>Part No.</u>	<u>Page No.</u>
50377AA	53	50386L	33	50395U	43	69H	37, 39
50377AB	53	50386M	33	50396G	37, 39	77A	31
50377AC	57	50389	39	50396L	59	77B	33
50377AD	57	50389A	39	50397A16	75	77F	45
50377AE	57	50390L	25	50397A48	75	77K	47
50377AF	51	50391	13	50397B16	83	77L	45, 49, 73
50377AK	57	50391A	13	50397C	75, 79	79	37
50377AM	51	50392AB	9	50692G	19	79633	75
50377AR	51	50392AU	17	51235G	29	80265	39, 63
50377AT	55	50392AV	19	51280J	49	8372A	45
50377C	51	50392AW	17	51295B	61	87	41, 71, 73
50377D	51	50392AX	17	53678N	15	87	75, 77, 79
50377E	53	50392AY	17	56382D	41	87	81, 83, 85
50377F	53	50392AZ	17	56390E	25	87U	17
50377G	51	50392BC	19	56390H	29	88	49
50377H	57	50392BD	65	56392G	19	88B	47
50377J	53	50392BE	65	56392H	19	89	49
50377L	51	50392C	65	56392M	19	90	33, 37, 39
50377M	51	50392G	69, 71	56392R	19	90561K	65
50377P	53	50392G	73, 75	57830A	75	907	65
50377S	53	50392G	77, 79	57844	17	91	37, 75, 77, 81
50377T	51	50392G	81, 83	57865	19	93	33, 49
50377U	53	50392G	85	57892K	19	93A	47
50377VA	51	50392S	17	59477	51	95	39, 43, 45
50377Z	53	50392T	17	6-25-55	75, 81	95169	45
50378AD	57	50392W	19	604	47	95205	61
50378Z	65	50392X	19	6042A	31	95406	27
50381	21	50392Y	19	605	75	95412	59
50381B	21	50392Z	19	605A	17	95685	37, 39
50381E	9	50393EU	23, 37	605C	37, 81	95685	45
50381F	21	50393EW	23	605D	37	95951	47
50381G	21	50393EX	27	61330B41	77	95953	27
50381L	39	50393EZ	9	61330B42	79	96162A	25
50382FU	37	50393FD	27	61351C	15	96162B	15
50382FV	37	50393FE	27	652C16	17	96275	47
50382FW	23	50393FF	27	660-1014	21	96276	27
50382FX	23	50393FG	27	660-1043	13	96277	37, 39
50382FY	23	50393FH	27	660-1089	53	96277	45
50382FZ	23	50393FK	27	660-1108	45	96278	57
50382GA	23	50393GB	27	660-210	49	96529	49, 51
50382GB	23	50393GD	27	660-212	23, 27	96530	49
50382GM	23	50393GF	9	660-212	39, 51	96651	77, 79
50382GR	43	50393GT	27	660-264	61	96663	33
50382GS	27	50393GU	27	660-283A	19	96667	33
50382GV	37	50393GW	63	660-303	53	96719	35
50382HU	39	50393HB	23	660-739	15, 21	96722	49
50382HX	41	50393HE	27	660-893	53	96841	9
50382JA	39	50393HH	17	661-149	57	96865	35
50382JU	59	50393HN	27	661-252	29	97005D	59
50382JV	45	50393HS	11	661-253	29	97014	37, 39
50382KD	63	50393HV	27	661-259B	11	97014	45
50383AD	23	50393JP	11	661-261	13, 25	97015	49
50383AE	23	50393JW	11	661-261	57	97016	49
50383AX	45	50393JY	11	661-262	13	97113	47
50383AY	45	50393JZ	11	661-348	25	97127	39, 43
50383BW	45	50393KV	27	666-149	35, 49	97127	45
50383Y	35	50393KW	9	666-149	59	97137	33
50384F	37, 39	50393KZ	63	666-197	63	98A	17, 59
50384L	23, 53	50393LA	27	666-329	11	99293	69, 71, 73
50386	53	50394AF	11	666-330	19	99293	75, 77, 79
50386B	57	50395J	43	671B115	59	99293	81, 83, 85
50386E	55	50395T	35	671C23	39	99301A	39, 43



NUMERICAL INDEX OF PARTS

<u>Part No.</u>	<u>Page No.</u>	<u>Part No.</u>	<u>Page No.</u>	<u>Part No.</u>	<u>Page No.</u>	<u>Part No.</u>	<u>Page No.</u>
99301A	45	G50-748D	39	SS1110640SL	23	SS7111120TP	59
99343	29	G51054	35, 49	SS1121010SP	17	SS7112420SP	51
99346	29	G51347A	49	SS2090620SP	53	SS7120640SP	17
99349	27	G52897A16	79	SS4080310SP	45	SS7120640SP	23
99350	39, 43	G57730GB	77	SS4080620TP	11	SS7120710SP	17
99350	45	G57730GC	77, 79	SS4080620TP	31	SS7120710SP	27
99351	39, 43	G57730GD	77, 79	SS4090515SP	43	SS7121410TP	15
99351	45	G65-134	75	SS4090815SP	17	SS7121410TP	19
99352	9	G65-90	81	SS4120615SP	17	SS7121610SP	53
99356	39, 43	GA29477AP	33	SS4120615SP	23	SS7660520SP	13
99356	45	HA20A	65	SS4120615SP	41	SS7681410TP	13
99364L	37, 39	HA20B	29	SS4120915SP	17	SS8080310SP	69
99364L	45	HT2C	75	SS4120915SP	19	SS8080310SP	71
99369	49	J79J	37	SS4120915SP	23	SS8080310SP	73
9937	29, 33, 39	J87J	49	SS4121215SP	23	SS8080310TP	77
9937	43, 45, 59	LA451	23	SS4121615SP	23	SS8080310TP	79
99370	49	MAL01110000	65	SS5060410SP	21	SS8080310TP	81
99391	47	NM6030001SD	69	SS5060410SP	75	SS8080310TP	83
99392	39	NM6030001SD	71	SS5060410SP	77	SS8080310TP	85
99652A	29	NM6030001SD	73	SS5060410TP	69	SS8080410TP	17
99658	25	NM6030250SC	83	SS5060410TP	71	SS8090540SP	31
99675QA-400	39	NS6110310SP	51	SS5060410TP	73	SS8110422TP	11
99682XC	23	NS6110420SP	19	SS6060440TP	75	SS8110422TP	15
99682XCB	23	NS6120480SP	53	SS6066440TP	79	SS8110422TP	21
99697J	37, 39	NS6150310SP	21	SS6066440TP	81	SS8110422TP	35
999-211	9	NS6620320SP	23	SS6066440TP	83	SS8110422TP	53
999-211B	9	NS6680410SP	15	SS6066440TP	85	SS8110422TP	57
999-211E	35	PH0200063C0	69	SS6090420SP	37	SS8120410SP	51
999-212-035	9	PH0200063C0	71	SS6090440SP	11	SS8150710SP	51
999-215	35	PH0200063C0	73	SS6090440SP	31	SS8150822TP	35
999-254J	27	PH0200102C0	83	SS6090540SP	45	SS8151150SP	51
999-30	47	PH0300164C0	69	SS6090560TP	29	SS8151150SP	57
999-90B	47	PH0300164C0	71	SS6090620SP	11	SS8660512TP	15
B1528804000A	21	PH0300164C0	73	SS6090810TP	85	SS8660512TP	29
B3103804000	19	PH0400104U0	35	SS6091022TP	29	SS8660612TP	9
B3112704000	19	PS0400142KH	9	SS6110610TP	21	SS8660612TP	13
B3120352000	19	RC0980615K0	35	SS6121010SP	11	SS8660612TP	15
B3120704000	19	RE0500000K0	21	SS6121010SP	21	SS8660612TP	25
B3121804000	19	RE0900000K0	31	SS6121010SP	35	SS8660612TP	27
B3126012000	19	RO037180100	9	SS6121220TP	51	SS8660612TP	35
B3215470000	35	RO068190100	21	SS6122030SP	53	SS8660612TP	53
B3530555000	23	RO068190100	51	SS6151220SP	57	SS8661012TP	13
B9214850000	61	SD0380551SL	17	SS6151440SP	51	SS8681412TP	13
C50044E	17	SD0640323TP	23	SS6151920SP	21	SS8701042TP	53
C50056B	21	SD0790303SP	21	SS6153040SP	21	SS9090640SP	15
C50063N	37, 39	SD1000801SH	15	SS7060310SP	17	SS9090640SP	45
C50077K	57	SM1020450TP	83	SS7060310SP	31	SS9111010SP	57
C50094B	27	SM4030455SP	69	SS7080510TP	15	SS9151740CP	21
CE27	11	SM4030455SP	71	SS7080510TP	17	TA1050504R0	23
CE59	11	SM4030455SP	73	SS7080520SP	11	TA1100604R0	23
CE63	11	SM4040655SP	43	SS7080520SP	31	TA1100604R0	43
CE66	21	SM6030350SD	69	SS7080520SP	83	TA1100604R0	45
CO67B	49	SM6050810SC	45	SS7090520SP	19	TA1450404R0	53
CO67D	29	SM7040800SL	69	SS7090530SP	59	WPO320501SC	31
CQ200000000	63	SM7040800SL	71	SS7090610SP	17	WPO501046SC	53
CQ25220000	11	SM7040800SL	73	SS7090910TP	17	WPO651001SC	45
G11940	81	SM7040800SL	79	SS7110410SP	17	WPO742016SP	15
G21201	61	SM7040800SL	83	SS7110410SP	57	WS0371026SD	17
G29105F	29	SM8030382TP	83	SS7110510SP	65	WS0510002KP	17
G29476BV	33	SM8030500SP	69	SS7110910TP	15	WS0510002KP	57
G50-266	75	SM8030500SP	71	SS7111120TP	11	WZ0641510KP	23
G50-403	65	SM8030500SP	73	SS7111120TP	13		





Union Special Corporation  
Corporate Office  
One Union Special Plaza  
Huntley, IL 60142  
Phone: 847•669•5101  
Fax: 847•669•4454

Union Special GmbH  
European Distribution Center  
Raiffeisenstrasse 3  
D-71696 Möglingen, Germany  
Tel: 49•07141•247•0  
Fax: 49•07141•247•100

JUKI CORPORATION  
INTERNATIONAL SALES DIVISION  
8-2-1, KOKURYO - CHO,  
CHOFU-SHI, TOKYO 182, JAPAN  
PHONE: 03(3430)4001~5  
FAX: 03(3430)4909 . 4914 . 4984



**JUKI**  
*Union Special*